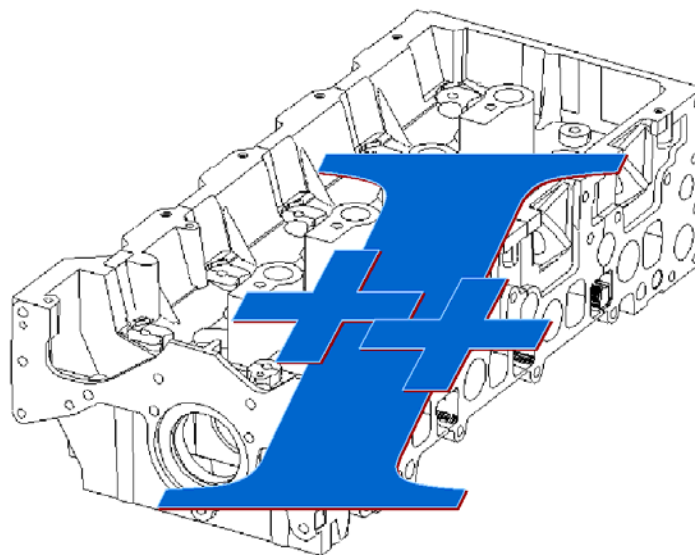




DAIMLERCHRYSLER



## DME – Interface

**Contents:**

- 1 I++ WORKING GROUP INFORMATION ..... 8**
  - 1.1 This specification was created with the assistance of..... 8**
  - 1.2 The goal ..... 8**
  - 1.3 Sub Working group I++ DME Interface (Dimensional Measuring Equipment) ..... 8**
  - 1.4 Requirement ..... 8**
  - 1.5 What is the intention of the specification ? ..... 8**
  - 1.6 Schedule steps ..... 10**
  - 1.7 History ..... 10**
  - 1.8 Links to important sites ..... 12**
  
- 2 PHYSICAL SYSTEM LAYOUT ..... 13**
  - 2.1 DME-Interface Implementations..... 14**
  - 2.2 DME-Interface Model..... 14**
  - 2.3 Logical System Layout..... 15**
  - 2.4 DME-Interface and Subsystems ..... 16**
    - 2.4.1 Application ..... 16
    - 2.4.2 Monitor ..... 16
    - 2.4.3 Diagnostics ..... 16
    - 2.4.4 Info..... 16
  
- 3 HIERARCHY OF COMMUNICATION ..... 18**
  - 3.1 Layers ..... 18**
  - 3.2 Examples of basic use cases ..... 19**
    - 3.2.1 Sequence Diagram: StartSession, EndSession ..... 19
    - 3.2.2 Sequence Diagram: Standard Queue Communication ..... 19
    - 3.2.3 Sequence Diagram: Event, Fast Queue Communication (Multiple Shot Events)... 20
    - 3.2.4 Sequence Diagram: Handling of Unsolicited Errors ..... 21
  
- 4 EVENTS ..... 22**
  - 4.1 Transaction events, syntax ..... 22**
  - 4.2 One shot events ..... 23**
  - 4.3 Multiple shot events ..... 23**

|             |   |           |
|-------------|---|-----------|
| <b>4.4</b>  | <b>Server events</b> .....                      | <b>23</b> |
| <b>5</b>    | <b>OBJECT MODEL</b> .....                       | <b>24</b> |
| <b>5.1</b>  | <b>Explanation</b> .....                        | <b>24</b> |
| <b>5.2</b>  | <b>Reduced Object Model</b> .....               | <b>25</b> |
| <b>5.3</b>  | <b>Full Object Model</b> .....                  | <b>26</b> |
| <b>5.4</b>  | <b>Packaging for visualization</b> .....        | <b>27</b> |
| <b>5.5</b>  | <b>Contents of server</b> .....                 | <b>27</b> |
| <b>5.6</b>  | <b>Contents of dme</b> .....                    | <b>28</b> |
| <b>5.7</b>  | <b>Contents of cartcmm</b> .....                | <b>29</b> |
| <b>5.8</b>  | <b>Contents of cartcmmwithrotarytable</b> ..... | <b>29</b> |
| <b>5.9</b>  | <b>Contents of toolchanger</b> .....            | <b>30</b> |
| <b>5.10</b> | <b>Contents of lib and unspecified</b> .....    | <b>31</b> |
| <b>6</b>    | <b>PROTOCOL</b> .....                           | <b>32</b> |
| <b>6.1</b>  | <b>Communication</b> .....                      | <b>32</b> |
| 6.1.1       | Character set .....                             | 32        |
| 6.1.2       | Units.....                                      | 32        |
| 6.1.3       | Enumeration.....                                | 32        |
| 6.1.4       | Definitions used in formats.....                | 32        |
| 6.1.4.1     | Production Language .....                       | 33        |
| 6.1.4.2     | Syntax .....                                    | 33        |
| <b>6.2</b>  | <b>Protocol Basics</b> .....                    | <b>36</b> |
| 6.2.1       | Tags .....                                      | 36        |
| 6.2.2       | General line layout.....                        | 37        |
| 6.2.2.1     | CommandLine.....                                | 37        |
| 6.2.2.2     | ResponseLine .....                              | 38        |
| 6.2.2.3     | Definitions.....                                | 38        |
| 6.2.3       | Transactions.....                               | 38        |
| 6.2.3.1     | Example .....                                   | 39        |
| 6.2.4       | Events .....                                    | 40        |
| 6.2.4.1     | Examples.....                                   | 40        |
| 6.2.5       | Errors .....                                    | 41        |
| <b>6.3</b>  | <b>Method Syntax</b> .....                      | <b>42</b> |
| 6.3.1       | Server Methods.....                             | 42        |
| 6.3.1.1     | StartSession() .....                            | 42        |
| 6.3.1.2     | EndSession() .....                              | 42        |
| 6.3.1.3     | StopDaemon(..).....                             | 43        |
| 6.3.1.4     | StopAllDaemons() .....                          | 43        |

|          |                                     |    |
|----------|-------------------------------------|----|
| 6.3.1.5  | AbortE()                            | 43 |
| 6.3.1.6  | GetErrorInfo(..)                    | 44 |
| 6.3.1.7  | ClearAllErrors()                    | 44 |
| 6.3.1.8  | Information for handling properties | 46 |
| 6.3.1.9  | GetProp(..)                         | 46 |
| 6.3.1.10 | GetPropE(..)                        | 46 |
| 6.3.1.11 | SetProp(..)                         | 46 |
| 6.3.1.12 | EnumProp(..)                        | 47 |
| 6.3.1.13 | EnumAllProp(..)                     | 47 |
| 6.3.1.14 | GetDMEVersion()                     | 47 |
| 6.3.2    | DME Methods                         | 48 |
| 6.3.2.1  | Home()                              | 48 |
| 6.3.2.2  | IsHomed()                           | 48 |
| 6.3.2.3  | EnableUser()                        | 49 |
| 6.3.2.4  | DisableUser()                       | 49 |
| 6.3.2.5  | IsUserEnabled()                     | 49 |
| 6.3.2.6  | OnPtMeasReport(..)                  | 49 |
| 6.3.2.7  | OnMoveReportE(..)                   | 50 |
| 6.3.2.8  | GetMachineClass()                   | 51 |
| 6.3.2.9  | GetErrStatusE()                     | 51 |
| 6.3.2.10 | GetXtdErrStatus()                   | 51 |
| 6.3.2.11 | Get(..)                             | 51 |
| 6.3.2.12 | GoTo(..)                            | 52 |
| 6.3.2.13 | PtMeas(..)                          | 52 |
| 6.3.2.14 | Information for Tool Handling       | 54 |
| 6.3.2.15 | Tool()                              | 55 |
| 6.3.2.16 | FindTool(..)                        | 55 |
| 6.3.2.17 | FoundTool()                         | 55 |
| 6.3.2.18 | ChangeTool(..)                      | 55 |
| 6.3.2.19 | SetTool(..)                         | 56 |
| 6.3.2.20 | AlignTool(..)                       | 56 |
| 6.3.2.21 | GoToPar()                           | 56 |
| 6.3.2.22 | PtMeasPar()                         | 57 |
| 6.3.2.23 | EnumTools()                         | 57 |
| 6.3.2.24 | Q()                                 | 57 |
| 6.3.2.25 | ER()                                | 58 |
| 6.3.2.26 | GetChangeToolAction(..)             | 58 |
| 6.3.3    | CartCMM Methods                     | 60 |
| 6.3.3.1  | SetCoordSystem(..)                  | 61 |
| 6.3.3.2  | GetCoordSystem()                    | 61 |
| 6.3.3.3  | GetCsyTransformation(..)            | 62 |
| 6.3.3.4  | SetCsyTransformation(..)            | 62 |
| 6.3.3.5  | X()                                 | 63 |
| 6.3.3.6  | Y()                                 | 63 |
| 6.3.3.7  | Z()                                 | 63 |
| 6.3.3.8  | IJK()                               | 63 |
| 6.3.3.9  | X(..)                               | 63 |
| 6.3.3.10 | Y(..)                               | 64 |
| 6.3.3.11 | Z(..)                               | 64 |
| 6.3.3.12 | IJK(..)                             | 64 |
| 6.3.3.13 | R()                                 | 65 |

|          |   |           |
|----------|---|-----------|
| 6.3.4    | ToolChanger Methods .....                           | 66        |
| 6.3.5    | Tool Methods (Instance of class KTool) .....        | 67        |
| 6.3.5.1  | GoToPar() .....                                     | 67        |
| 6.3.5.2  | PtMeasPar().....                                    | 67        |
| 6.3.5.3  | ReQualify() .....                                   | 67        |
| 6.3.5.4  | ScanPar().....                                      | 67        |
| 6.3.6    | GoToPar Block .....                                 | 68        |
| 6.3.7    | PtMeasPar Block .....                               | 68        |
| 6.3.8    | A(), B(), C() .....                                 | 69        |
| 6.3.9    | A(..), B(..), C(..) .....                           | 69        |
| 6.3.10   | Name().....   | 70        |
| 6.3.11   | CollisionVolume().....                              | 70        |
| 6.3.12   | Alignment() .....                                   | 73        |
| 6.3.13   | AvrRadius().....                                    | 74        |
| 6.3.14   | AlignmentVolume() .....                             | 74        |
| 6.3.15   | ScanPar Block .....                                 | 76        |
| <b>7</b> | <b>ADDITIONAL DIALOG EXAMPLES .....</b>             | <b>78</b> |
| 7.1      | StartSession.....                                   | 78        |
| 7.2      | Move 1 axis.....                                    | 78        |
| 7.3      | Probe 1 axis .....                                  | 78        |
| 7.4      | Move more axes in workpiece coordinate system ..... | 79        |
| 7.5      | Probe with more axes .....                          | 79        |
| 7.6      | Set property .....                                  | 79        |
| 7.7      | Get, read property.....                             | 80        |
| 7.8      | EnumAllProp.....                                    | 81        |
| <b>8</b> | <b>ERROR HANDLING .....</b>                         | <b>82</b> |
| 8.1      | Classification of Errors .....                      | 82        |
| 8.2      | List of I++ predefined errors.....                  | 82        |
| <b>9</b> | <b>MISCELLANEOUS INFORMATION .....</b>              | <b>85</b> |
| 9.1      | Coordination of company related extensions.....     | 85        |
| 9.2      | Initialization of TCP/IP protocol-stack .....       | 85        |
| 9.3      | Closing TCP/IP connection .....                     | 85        |
| 9.4      | EndSession and StartSession.....                    | 85        |
| 9.5      | Pre-defined Server events.....                      | 85        |

|             |   |            |
|-------------|---|------------|
| 9.5.1       | KeyPress .....                            | 86         |
| 9.5.2       | Clearance or intermediate point set ..... | 86         |
| 9.5.3       | Pick manual point .....                   | 86         |
| 9.5.4       | Change Tool request .....                 | 86         |
| 9.5.5       | Set property request .....                | 86         |
| 9.5.6       | Additional defined keys .....             | 86         |
| <b>9.6</b>  | <b>Reading part temperature .....</b>     | <b>87</b>  |
| <b>10</b>   | <b>MULTIPLE ARM SUPPORT .....</b>         | <b>88</b>  |
| <b>11</b>   | <b>SCANNING .....</b>                     | <b>89</b>  |
| <b>11.1</b> | <b>Preliminaries .....</b>                | <b>89</b>  |
| 11.1.1      | Hints: .....                              | 89         |
| 11.1.2      | OnScanReport(..).....                     | 89         |
| <b>11.2</b> | <b>Scanning known contour .....</b>       | <b>90</b>  |
| 11.2.1      | ScanOnCircleHint(..).....                 | 90         |
| 11.2.2      | ScanOnCircle(..).....                     | 90         |
| 11.2.3      | ScanOnLineHint(..).....                   | 91         |
| 11.2.4      | ScanOnLine(..).....                       | 92         |
| 11.2.5      | ScanOnCurveHint(..).....                  | 93         |
| 11.2.6      | ScanOnCurveDensity(..).....               | 93         |
| 11.2.7      | ScanOnCurve(..).....                      | 93         |
| 11.2.8      | ScanOnCurve Example .....                 | 94         |
| <b>11.3</b> | <b>Scan unknown contour .....</b>         | <b>96</b>  |
| 11.3.1      | ScanUnknownHint(..).....                  | 96         |
| 11.3.1.1    | ScanUnknownDensity(..).....               | 96         |
| 11.3.2      | ScanInPlaneEndIsSphere(..).....           | 96         |
| 11.3.3      | ScanInPlaneEndIsPlane(..).....            | 97         |
| 11.3.4      | ScanInPlaneEndIsCyl(..).....              | 99         |
| 11.3.5      | ScanInCylEndIsSphere(..).....             | 100        |
| 11.3.6      | ScanInCylEndIsPlane(..).....              | 102        |
| <b>11.4</b> | <b>Scanning Examples .....</b>            | <b>104</b> |
| 11.4.1      | Scanning known contour circle .....       | 104        |
| 11.4.2      | Scanning unknown contour .....            | 104        |
| <b>12</b>   | <b>ROTARY TABLE.....</b>                  | <b>106</b> |
| <b>12.1</b> | <b>AlignPart(..).....</b>                 | <b>106</b> |
| <b>13</b>   | <b>FORMTESTERS .....</b>                  | <b>107</b> |
| <b>13.1</b> | <b>CenterPart(..).....</b>                | <b>107</b> |
| <b>13.2</b> | <b>TiltPart(..).....</b>                  | <b>108</b> |
| <b>13.3</b> | <b>TiltCenterPart(..).....</b>            | <b>108</b> |

|  |   |            |
|--|---|------------|
| <b>13.4</b>  | <b>LockAxis(..)</b> .....                   | <b>109</b> |
| <b>13.5</b>  | <b>LockPosition(..)</b> .....               | <b>109</b> |
| <b>APPENDIX A C++ AND HEADER FILES FOR EXPLANATION</b> ..... |   | <b>111</b> |
| <b>A.1</b>   | <b>\main\main.cpp</b> .....                 | <b>111</b> |
| <b>A.2</b>   | <b>\server</b> .....                        | <b>111</b> |
| A.2.1  | \server\server.h.....                       | 111        |
| A.2.2  | \server\part.h .....                        | 112        |
| A.2.3  | \server\server.cpp .....                    | 112        |
| <b>A.3</b>   | <b>\dme</b> .....                           | <b>113</b> |
| A.3.1  | \dme\dme.h.....                             | 113        |
| <b>A.4</b>   | <b>\cartcmm</b> .....                       | <b>115</b> |
| A.4.1  | \cartcmm\cartcmm.h .....                    | 115        |
| A.4.2  | \cartcmm\eulerw.cp.....                     | 116        |
| <b>A.5</b>   | <b>\cartcmmwithrottbl</b> .....             | <b>117</b> |
| A.5.1  | \cartcmmwithrottbl\cartcmmwithrottbl.h..... | 117        |
| <b>A.6</b>   | <b>\toolchanger</b> .....                   | <b>117</b> |
| A.6.1  | \toolchanger\toolchanger.h.....             | 117        |
| A.6.2  | \toolchanger\tool.h .....                   | 119        |
| A.6.3  | \toolchanger\toolab.h.....                  | 120        |
| A.6.4  | \toolchanger\toolabc.h.....                 | 120        |
| A.6.5  | \toolchanger\gotoparams.h.....              | 121        |
| A.6.6  | \toolchanger\ptmeaspars.h.....              | 121        |
| A.6.7  | \toolchanger\param.h.....                   | 122        |
| <b>A.7</b>   | <b>Most important of lib</b> .....          | <b>123</b> |
| A.7.1  | \lib\axis.h.....                            | 123        |
| A.7.2  | \lib\eulerw.h .....                         | 123        |
| A.7.3  | \lib>tag.h .....                            | 124        |
| A.7.4  | \lib\ipptypedef.h .....                     | 124        |
| A.7.5  | \lib\ippbaseclasses.h.....                  | 125        |
| <b>APPENDIX B: ENUMERATION OF PICTURES</b> .....             |   | <b>126</b> |

# 1 I++ Working Group Information

## 1.1 This specification was created with the assistance of

|                         |                     |
|-------------------------|---------------------|
| Hans-Martin Biedenbach, | AUDI AG             |
| Josef Brunner,          | BMW                 |
| Kai Gläsner,            | DaimlerChrysler     |
| Dr. Günter Moritz,      | Messtechnik Wetzlar |
| Jörg Pfeifle,           | DaimlerChrysler     |
| Josef Resch,            | Zeiss IMT           |

I++ is a working group of five European Car manufacturers (Audi, BMW, DaimlerChrysler, VW and Volvo).

## 1.2 The goal

The I++ working group defined a requirement specification with the goal to achieve a new programming system for inspection devices (not only for CMM's).

This specification will describe the I++ application protocol for the following types of DME's:

- 3D coordinate measuring machines including multiple carriage mode
- Form testers
- Camshaft, crankshaft measuring machines

The spec is created to have a common interface to give the possibility to connect different application packages to all DMEs.

## 1.3 Sub Working group I++ DME Interface (Dimensional Measuring Equipment)

I++ turn one's attention to the difficulties of the interfaces. So I++ defined a team, who are responsible to work out a requirement specification for a neutral I++ DME interface.

## 1.4 Requirement

We demand a clear definition, that the DME vendor is responsible for the accuracy of his measurement equipment, in the sense that all necessary functions related to the equipment accuracy have to be implemented in the neutral I++ DME interface.

All calibration data, no matter where created, must be stored in the DME interface.

NIST will produce tools for testing the I++ DME Interface specification. These would be made freely available outside NIST. Simulated Server/Client for verification, development and certification scenarios will be provided.

## 1.5 What is the intention of the specification ?

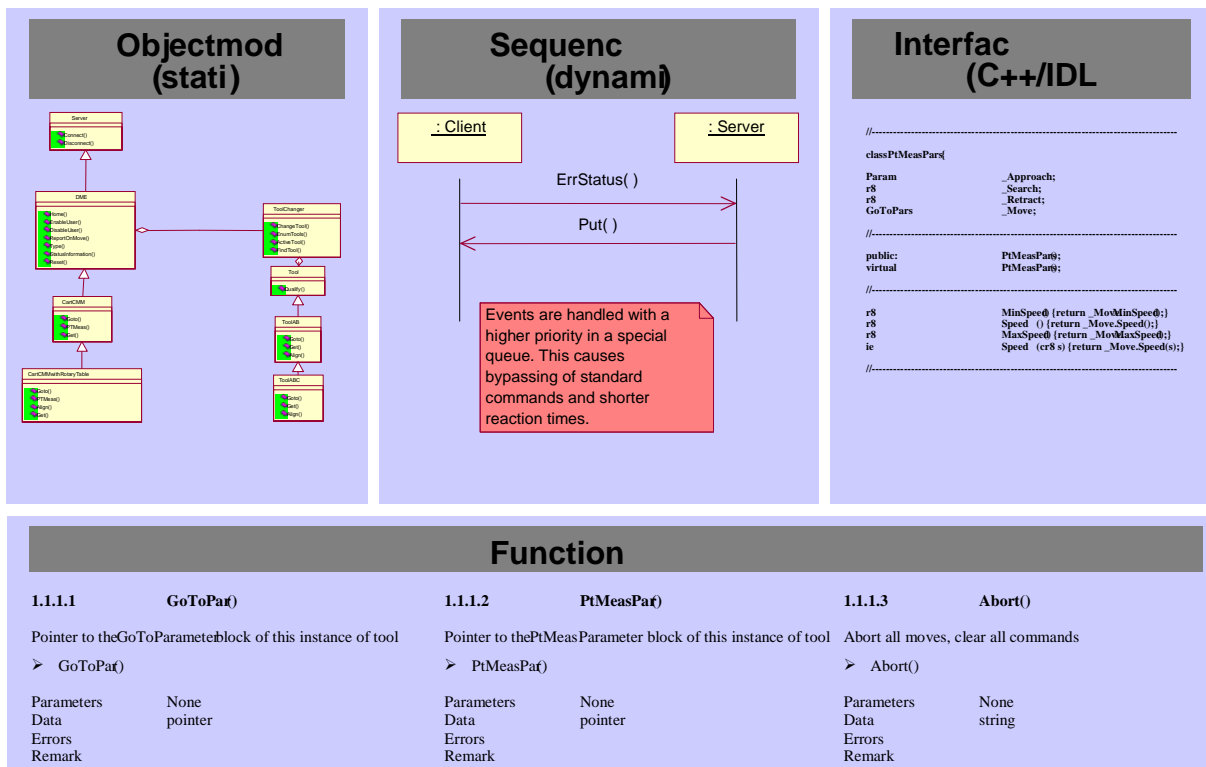
- To use State-Of-The-Art technology but useable in legacy systems  
Definition of interface should be independent



of transport-layer and transport-technology

- It should provide Scalability  
“an easy machine should have an easy interface”
- Extendibility  
It should be possible to add new types of machines
- Encapsulation  
The complexity and vendor-specific know-how of the real machine should, can be hidden behind the interface
- Self-Explaining, Consistent, Complete  
Though being complex the interface should be in a notation that can be easily understood

Picture 1: Methods of description



The following requirement specification is capable of further development. This means the specification is valid for CMM's as well as other measurement equipment.

## 1.6 Schedule steps

|                          |   |
|--------------------------|---|
| Changes from 1.0 to 1.1: | Multiple arms (port numbers...)                                     |
| Changes from 1.1 to 1.2: | Scanning, hints, collision handling                                 |
| Changes from 1.2 to 1.3: | Rotary table<br>Note: Versions 1.2 and 1.3 have been merged to 1.3! |
| Changes from 1.3 to 1.4: | Form testers  |
| Changes from 1.4 to 1.5: | ToolCollections, Tool TypeIDs,<br>WorkPieceCoordSystemHandling      |
| Changes from 1.5 to 2.0: | High level Geometry Measurement and Optical sensors                 |
| Changes from 2.0 to 2.1: | Camshaft, crankshaft measuring machines if necessary?               |

### Unscheduled extension:

- Probe-calibration-parameters-protocol  
Separate GUI and qualification routines; handle qualification process in client application,  
List of input-parameters necessary for calibration, all calibration data, no matter where created, must be stored in the DME, for simple probes e.g. index able touch trigger-probes PH9-type.
- Add Jog-Box-Display methods
- Use Unicode for strings
- Export tool-assembly information
- New Csy's: JogDisplayCsy, JogMoveCsy, SensorCsy
- Handling more than one socket between client and server
- Provide additional properties (DME Version No., Type of CMM, Brand of implementer...)

## 1.7 History

### 1.1 Multiple arms:

Changes: 6.3.3, 6.3.3.3, 6.3.3.4, 10 becomes Appendix A

Added: 10

### 1.3 Scanning:

Improvements: 6.1.1, 6.3.3

Added: 11

### 1.3 Rotary Table and Various:

Improvements: 1.6, 1.7, 2., 6.1.4, 6.2.1, 6.2.3.1, 6.3.1.7, 6.3.2.8, 6.3.2.11, 6.3.2.13, 6.3.6, 6.3.7, 7.7, 8.1, 8.2, 9.1, 9.5.1

Added: 6.3.3.13, 6.3.8, 6.3.9, 6.3.2.23, 6.3.3.13, 9.5.6, 9.6, 9.7, 12

### 1.3.1.draft Improvements according feed back of implementers:

Improvements: 1.6, 1.7, 5.2, 5.6, 6.1.4.1, 6.1.4.2, 6.2.1, 6.2.2.2, 6.2.3, 6.2.3.1, 6.2.4.1, 6.2.5, 6.3.1.1, 6.3.1.5, 6.3.1.6, 6.3.1.7, 6.3.1.9, 6.3.1.10, 6.3.1.11, 6.3.2.2, 6.3.2.6, 6.3.2.7, 6.3.2.12, 6.3.2.13, 6.3.2.14, 6.3.2.15, 6.3.2.16, 6.3.2.19, 6.3.2.20, 6.3.2.21, 6.3.2.22, 6.3.2.23, 6.3.3, 6.3.3.1, 6.3.3.3, 6.3.3.12, 6.3.3.13, 6.3.5.1, 6.3.5.2, 6.3.6, 6.3.7, 6.3.9, 7.7, 8.2, 9.1, 10, 9.5.2, 11.1.2, 11.2.2, 11.2.3, 11.2.4, 11.3.1, 11.3.2, 11.3.3, 11.3.4, 11.3.5, 11.3.6, 11.4.1, 11.4.2, 12.1, 8.1, 8.2, 11.1.2, 11.2.3, 11.3.1, 11.3.2, 11.3.3, 11.3.3, 11.3.4, 11.3.5, A.2.1, A.2.3, A.2.2, A.3.1, A.4.2, A.6.6, A.7.2

Added: 6.3.2.23, 6.3.2.24, 7.8

Shifted: 9.7 to 1.8

### 1.4 Form testers and various:

Improvements: 1.6, 5.2, 5.3, 5.5, 5.6, 5.9, 6.1.4.2, 6.2.2.2, 6.2.4.1, 6.3.2.10, 6.3.2.23, 8.1, 9.1, A.2.1, A.3.1, A.6.1, A.6.2

Added: 6.3.1.14, 6.3.2.26, 6.3.10, 6.3.11, 6.3.12, 6.3.13, 13. 13.1, 13.2, 13.3, 13.4

#### 1.4.1:

Improvements:

| Section     | Comment   |
|-------------|---|
| 1.6         | Priorize optical sensors before camshafts and crankshafts   |
| 5.3         | Full object model, Speed.Max... property handling...  |
| 5.6         | DME   |
| 5.9         | ToolChanger, improve picture for property handling  |
| 6.1.4.2     | Syntax, define “)” without following {s}  |
| 6.2.5       | Execute GetErrStatusE and GetXtdErrStatus when in error state   |
| 6.3.1       | Error message “0008, Protocol error” defined  |
| 6.3.1.1     | Describing behavior after StartSession better   |
| 6.3.1.4     | Error message included  |
| 6.3.1.8     | Info for additional properties  |
| 6.3.1.9     | Work out handling of Speed.Max...   |
| 6.3.1.11    | “   |
| 6.3.1.12/13 | Define EnumProp(), EnumAllProp() better   |
| 6.3.2.4     | Describe implicit DisableUser()   |
| 6.3.2.6     | Q also possible in OnPtMeasReport()   |
| 6.3.2.8     | Return data changed from string to enumeration  |
| 6.3.2.14    | Improve description of predefined tools   |
| 6.3.2.24    | Defining the usage of Q more precisely  |
| 6.3.2.25    | Defining the usage of ER more precisely   |
| 6.3.3.8     | IJK also for OnScanReport()   |
| 6.3.6       | Warning 0504 also for GoToPar Block   |
| 6.3.6       | Additional info about sub properties  |
| 6.3.7       | “   |
| 6.3.10      | Query Name also of FoundTool  |
| 6.3.11      | Query Id also of FoundTool  |
| 7.5         | PtMeas without R()  |
| 8.1         | Additional information about severity classification and error strings<br>Error messages 1010, 1011 added |
| 9.5.4       | ChangeTool initiative by the server   |
| 9.5.5       | SetProp initiative by the server  |

|                     |  |
|---------------------|--|
| 13.2                | Return data named TiltPart                                       |
| 13.3                | Return data named TiltCenterPart                                 |
| 13.4                | LockAxis improved  |
| 13.5                | LockPosition added   |
| Several occurrences |  |
|                     | Change Error Message “0509 Bad Parameter” to “0509 Bad argument” |
|                     | Change “ScanUnKnownHint” to “ScanUnknownHint” in C++ code        |
| A.3.1               |  |
| A.6.5/6.6/6.7       | Improvement of property handling Speed.Max....                   |

Remarks: Simple editorial changes are not documented above!

#### 1.4.2:

Extensions :

| Section | Comment   |
|---------|---|
| 6.3.1.1 | StartSession(), handling of properties included |
| 6.3.1.5 | AbortE(), describe no effect on daemons         |
| 6.3.14  | Tool property AvrRadius included                |
| 6.3.15  | Tool property AlignmentVolume included          |

#### 1.4.3:

Extensions :

| Section         | Comment  |
|-----------------|--|
| 6.3.3.1         | Additional description of the Euler angles for rotation  |
| 6.3.5.4         | ScanPar  |
| 6.3.16          | ScanParBlock   |
| 11.2.6          | ScanOnCurveDensity, Scanning according nominal data  |
| 11.2.7          | ScanOnCurve, Scanning according nominal data   |
| 11.2.8          | ScanOnCurve Example  |
| 11.3.1.1        | ScanUnknownDensity, control point reduction in ScanUnknownContour                                    |
| 11.3.2          | ScanInPlaneEndIsSphere, Index added for nth reaching of the stop sphere                              |
| <b>11.3.2-4</b> | <b>Important Change:</b><br><b>ScanInPlanEndIsXXX scanning plane definition by additional vector</b> |
| 11.3.5          | ScanInCylEndIsSphere, Index added for nth reaching of the stop sphere                                |

## 1.8 Links to important sites

Link to IA.CMM where this spec, the Rose model files and also the C++ header files can be downloaded:

[http://www.iacmm.org/stand\\_main.htm](http://www.iacmm.org/stand_main.htm)

Link to NIST where the DME test bed can be downloaded:

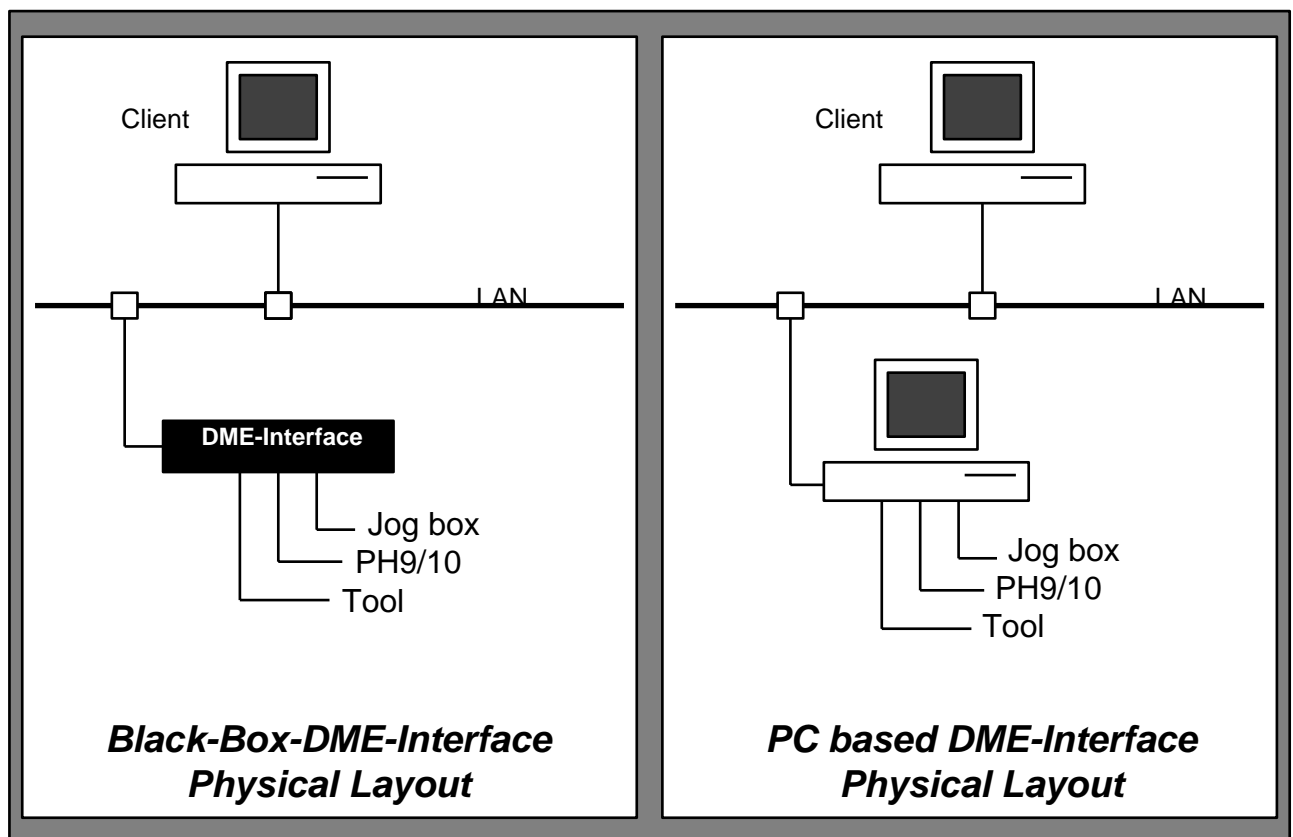
[http://www.isd.mel.nist.gov/projects/metrology\\_interoperability/resources.html](http://www.isd.mel.nist.gov/projects/metrology_interoperability/resources.html)

## 2 Physical System Layout

This section is intended to help explain the context of this specification. It is not part of the specification.

The following picture shows two examples of the physical system layout for these types of machines. In both examples the main components are  
Client computer (Client) and  
DME-Interface  
Machine (including frame, motors, scales,...)

Picture 2: Examples physical system



Client and DME-Interface are connected through a local area network (LAN).

Both client and DME-Interface use TCP/IP sockets for communication.

The client computer runs the application software for the measurement task.

The DME-Interface implements all functionality required to drive the machine.

The application software on the client talks to the DME-Interface in order to execute elementary measurement tasks (picking points, scanning,).

This specification describes the protocol that the client uses to run the machine through the DME-Interface.

Explanations: In the following lines client is used synonym for the application software, server is used for DME. Client and server can be on different computers, but they can also run on the same hardware being connected by TCP/IP socket.

## 2.1 DME-Interface Implementations

The main difference between the two implementations of the DME-Interface in Picture 1 is the physical implementation of the DME-Interface, which is

- PC based or
- “Black Box” based

While the PC based DME-Interface provides a direct physical (screen, keyboard) user interface the black box based system provides no direct user interface, PC based systems may provide additional low-level user interfaces that help the user to control and monitor the machine.

“Black Box” based systems have a potential cost advantage.

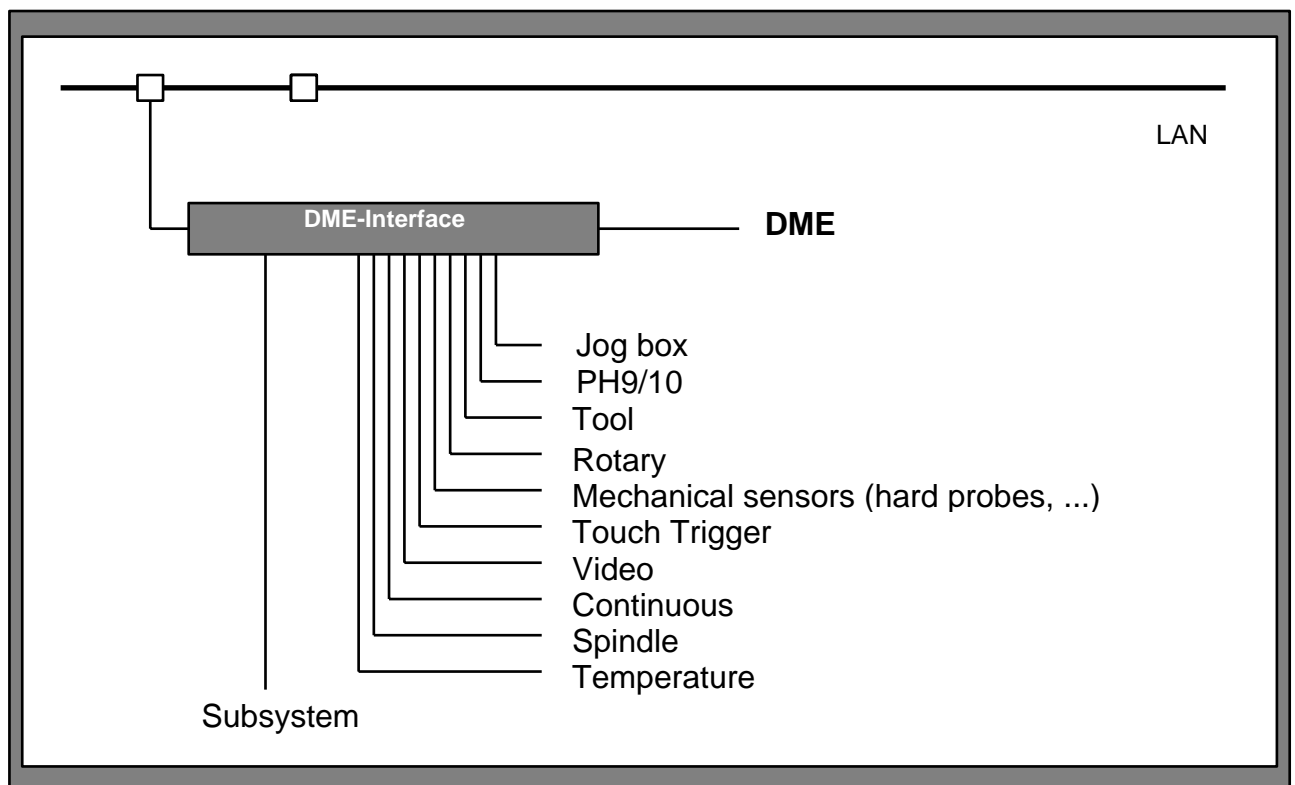
## 2.2 DME-Interface Model

The following picture shows the system layout we will use in this document for explanations.

It is important to recognize that all subsystems are linked to the DME-Interface.

This implies that the client must use the protocol to access subsystem functionalities, like rotating a PH10.

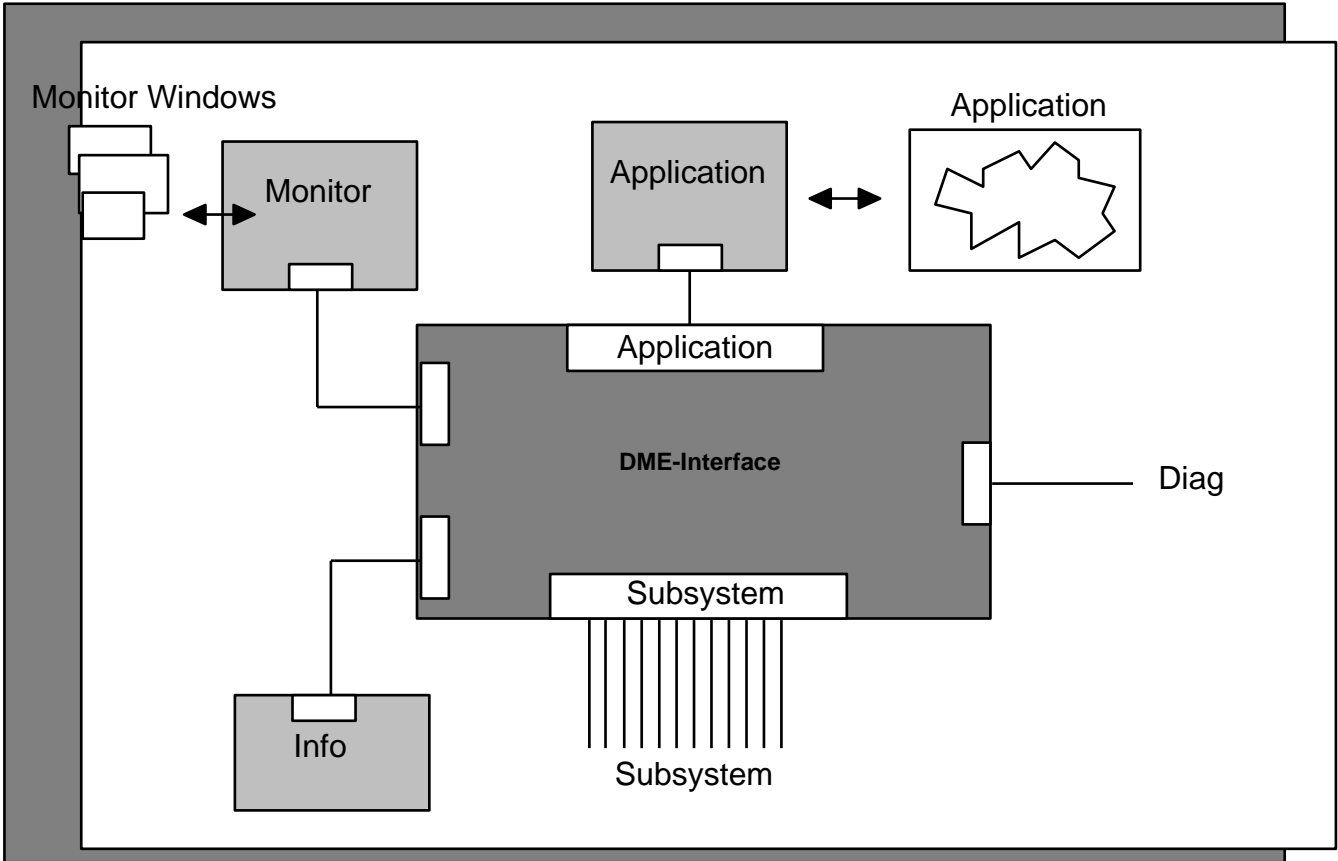
Picture 3: Physical DME subsystems



### 2.3 Logical System Layout

The following picture shows the logical layout of the system with the following components:  
DME-Interface and subsystems  
Application  
Monitor  
Diagnostics

Picture 4: Logical system layout



## 2.4 DME-Interface and Subsystems

The DME-Interface is a piece of software that runs on a PC based or "black box" based piece of hardware. This hardware connects to all subsystems (Picture 3).

The DME-Interface handles all subsystems and provides TCP/IP sockets for communication. When the hardware is powered up and the DME-Interface is started, the DME-Interface will create up to 4 TCP/IP ports:

|                  |  |               |
|------------------|--|---------------|
| Application port | (required)   | port No. 1294 |
| Monitor port     | (optional)   |               |
| Diagnostics port | (optional)   |               |
| Info port        | (optional in V.1.0 will be required in future version) |               |

### 2.4.1 Application

The application is a piece of software that runs on the client computer and that uses the application port to run the DME.

This specification describes the protocol used on the application port.

**The port number 1294 is internationally defined for this connection.**

**This port is the only one to start any movements of machine or tool. Only this allows changing any parameter.**

### 2.4.2 Monitor

The machine monitor (monitor) is a piece of software that is used to display controller specific information like current machine position, active probe ...

It connects to the monitor port to receive the displayed information from the DME-Interface.

The monitor is an optional component.

The controller may implement an equivalent functionality, for example by displaying the machine position on the jog box display.

In most cases the DME vendor will supply the monitor.

A description of the monitor is not part of this specification.

### 2.4.3 Diagnostics

The machine diagnostics (diagnostics) is a piece of software that is used to display diagnostic information necessary to service, repair or set up the DME.

It connects to the diagnostic port to receive information from the DME-Interface.

The diagnostic is an optional component.

The DME vendor supplies the diagnostics.

A description of the diagnostics is not part of this specification.

### 2.4.4 Info

The info is a piece of software that runs on a client computer. The info obtains information from the DME-Interface through the info port and provides the information to the client (axis, sensors, ...).

This specification describes the protocol used on the info port.



The functions possible on the info port are a subset of the functions possible on the application port. **On this port machine moving commands and setting of parameters are prohibited. Only information receiving dialog is allowed.**

### 3 Hierarchy of Communication

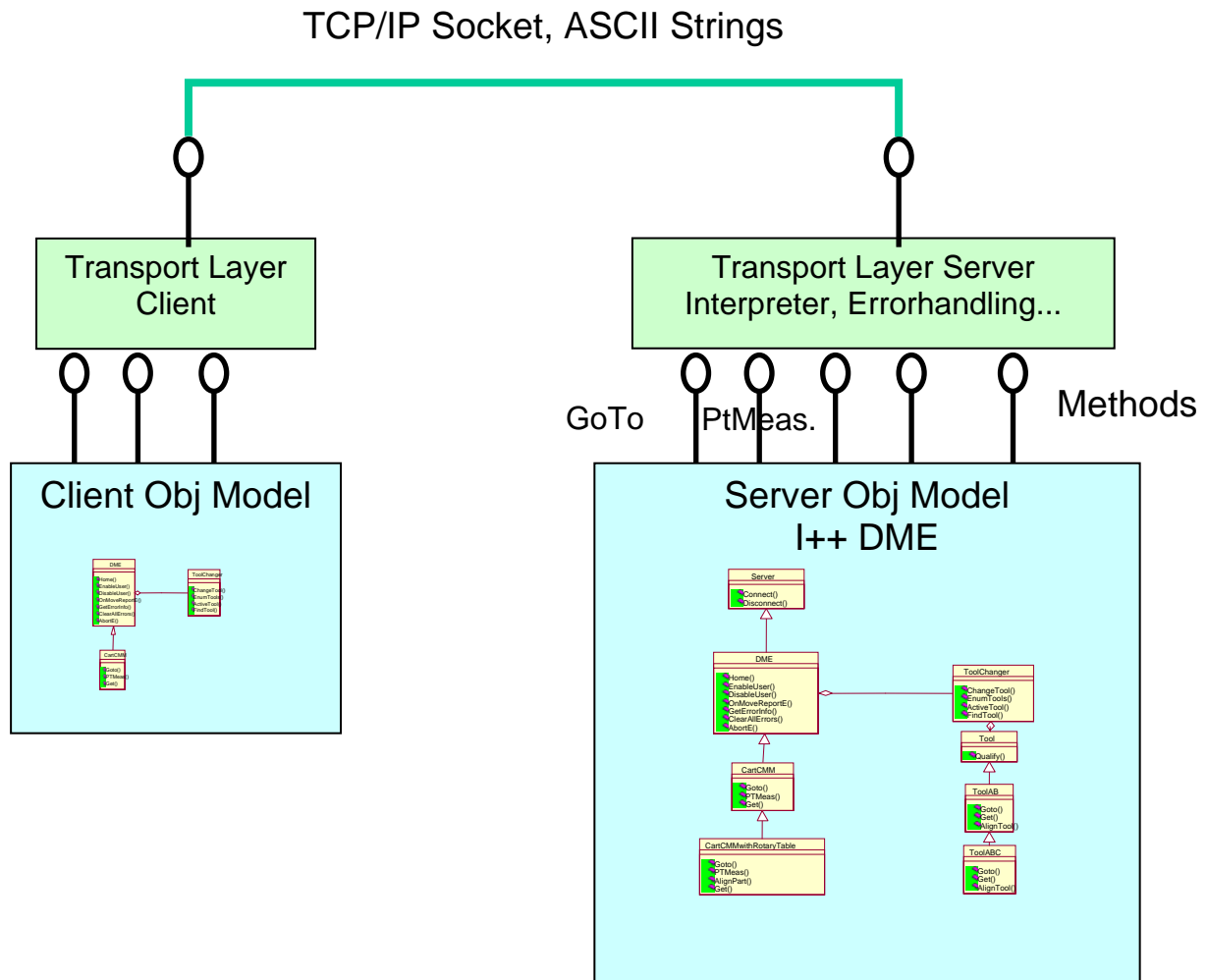
#### 3.1 Layers

The properties of the measuring equipment and the methods to handle them are defined by the object model, see picture 13.

The actual defined transport layer is to transmit ASCII strings via TCP/IP socket.

The layers are separated to have the chance to change the transport layer to future technologies.

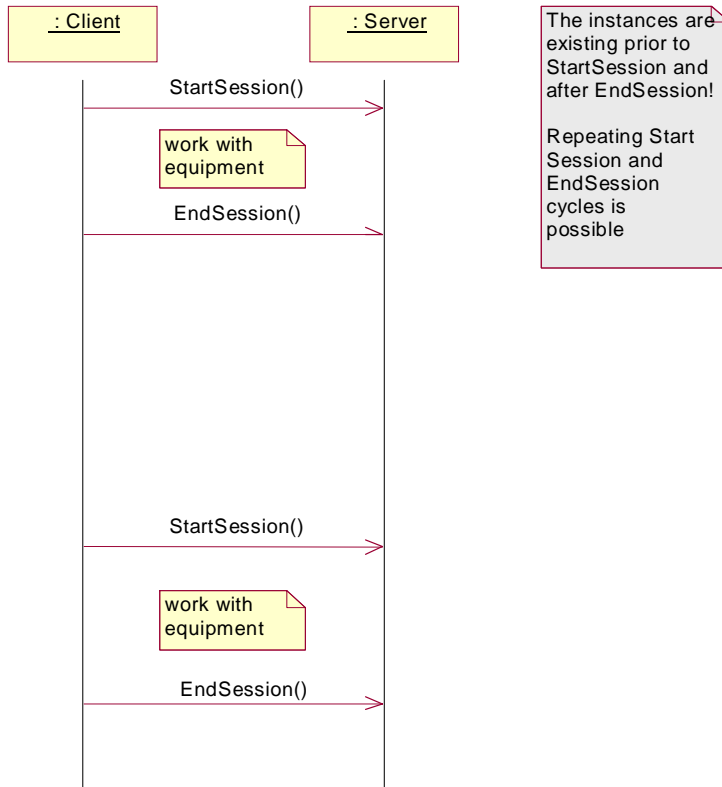
Picture 5: Transport layer and object model



### 3.2 Examples of basic use cases

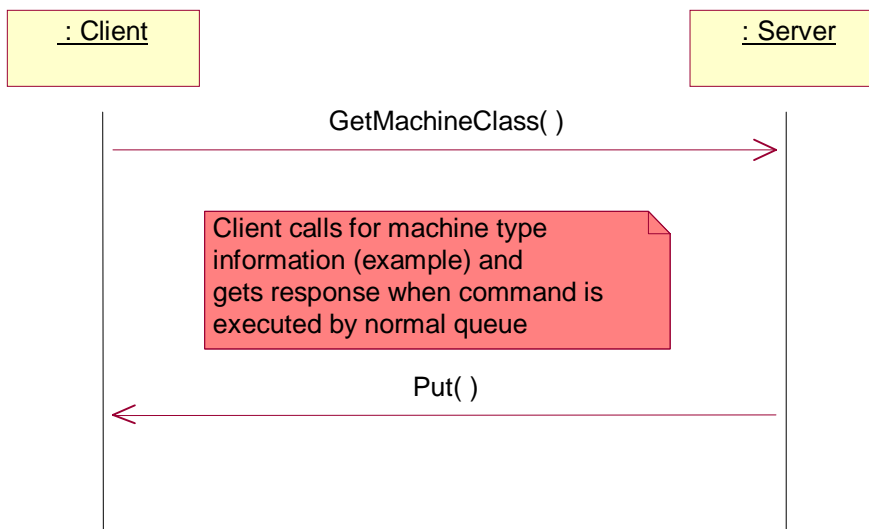
#### 3.2.1 Sequence Diagram: StartSession, EndSession

Picture 6: StartSession, EndSession



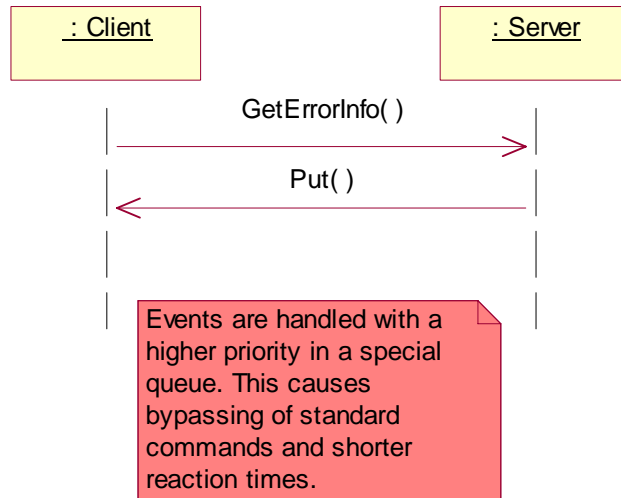
#### 3.2.2 Sequence Diagram: Standard Queue Communication

Picture 7: Standard Queue Communication



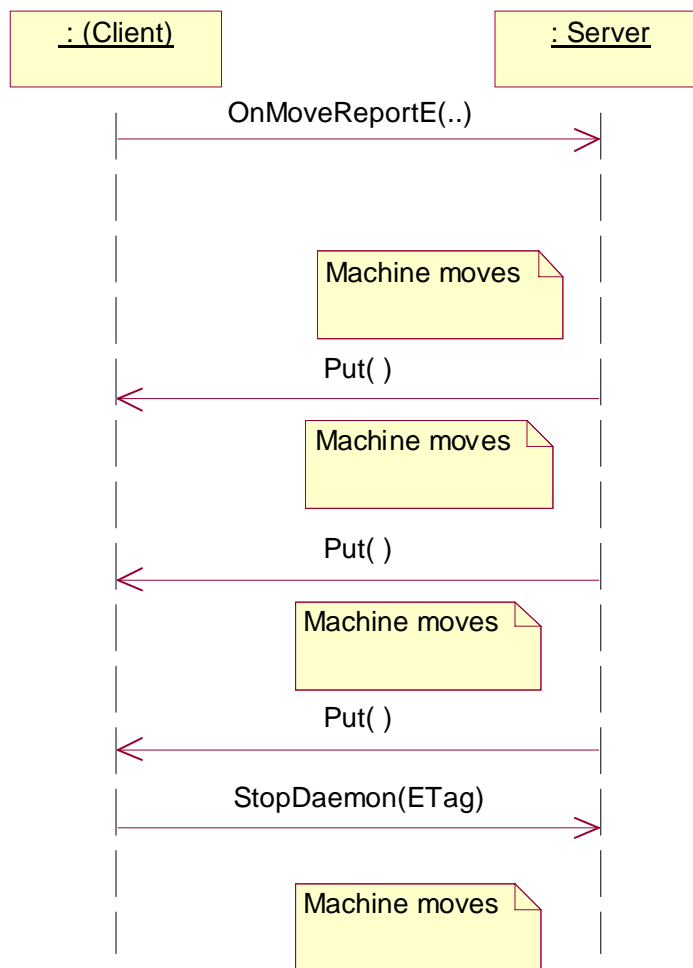
### Sequence Diagram: Event, Fast Queue Communication (Single Shot Events)

Picture 8: Event, Fast Queue Communication



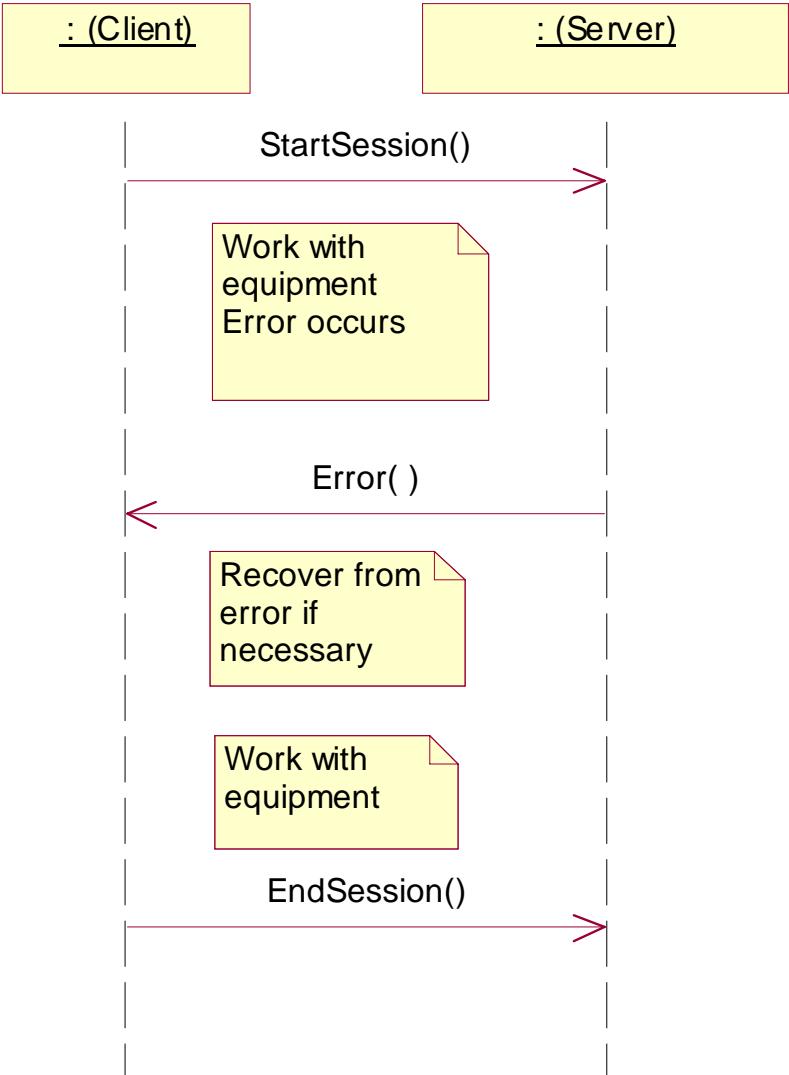
### 3.2.3 Sequence Diagram: Event, Fast Queue Communication (Multiple Shot Events)

Picture 9: Event, Fast Queue Communication



### 3.2.4 Sequence Diagram: Handling of Unsolicited Errors

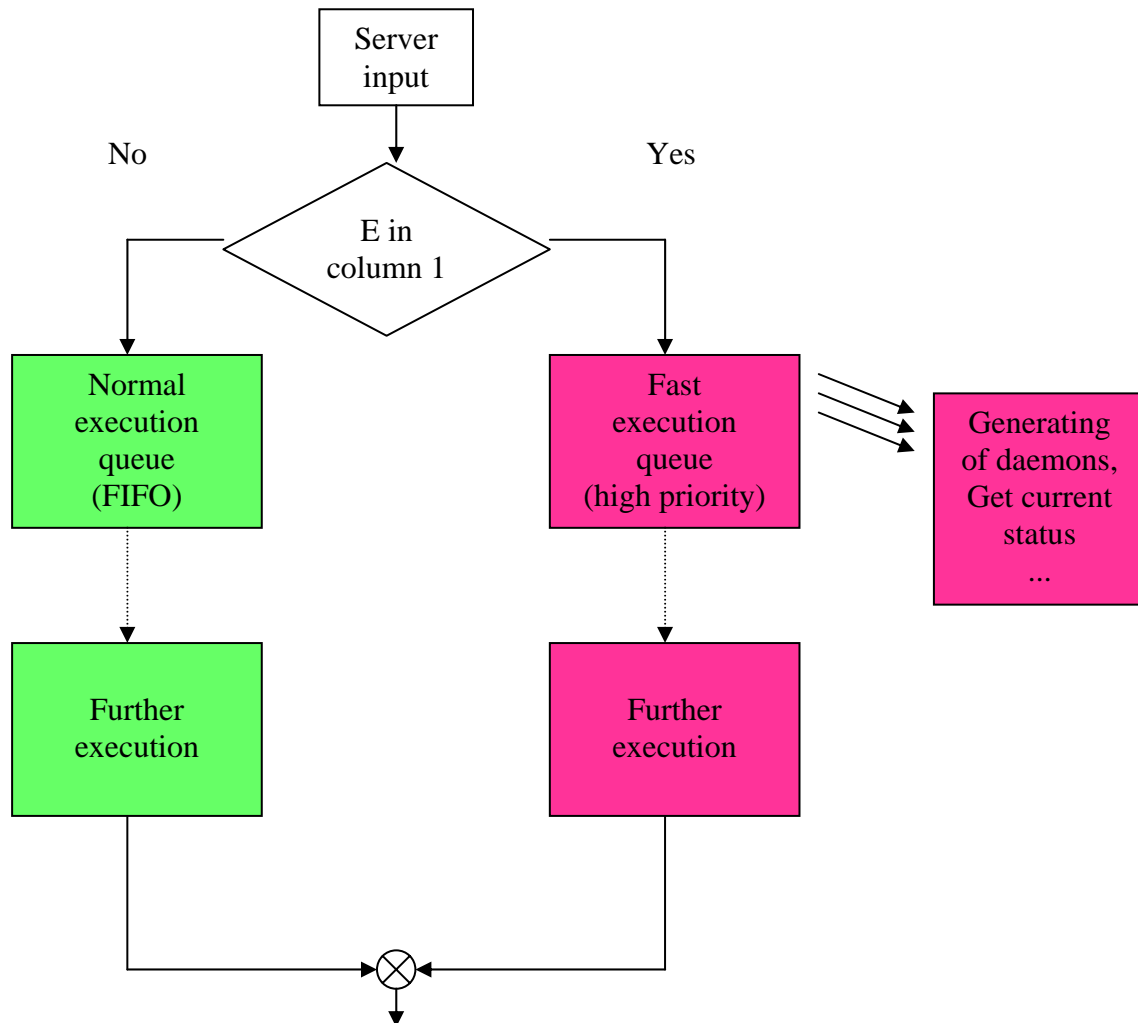
Picture 10: Handling of unsolicited Errors



## 4 Events

To increase performance and to reduce traffic on the interface the Event transactions are created. Events use tags starting with E.

**Picture 11: Explanation of the difference between normal and fast queue.**  
See also sequence diagram section 6.2.4.



### 4.1 Transaction events, syntax

Event transactions are initiated by the client.

Event requests are handled by the server with a higher priority than the synchronous communication. This means that the requests can bypass the normal command queue in the server.

In addition to normal transaction processing, the server will trigger an event. Legal tags are tags starting with E0001 up to E9999. The tag E0000 is reserved for events with no relation to legal tags.

## **4.2 One shot events**

These Events are used to generate exactly one asynchronous reaction of the server. F.I. getting asynchronous status or position information.

The transaction creates a daemon that triggers an event. The daemon will die after firing the event.

## **4.3 Multiple shot events**

The transaction creates a daemon that triggers events based on a condition. The client must stop this daemon explicitly by a StopDaemon (“Event transaction tag”) method.

## **4.4 Server events**

Server events use tag E0000. They are used to report manual hits, keystrokes, supported machine status changes...

## 5 Object Model

### 5.1 Explanation

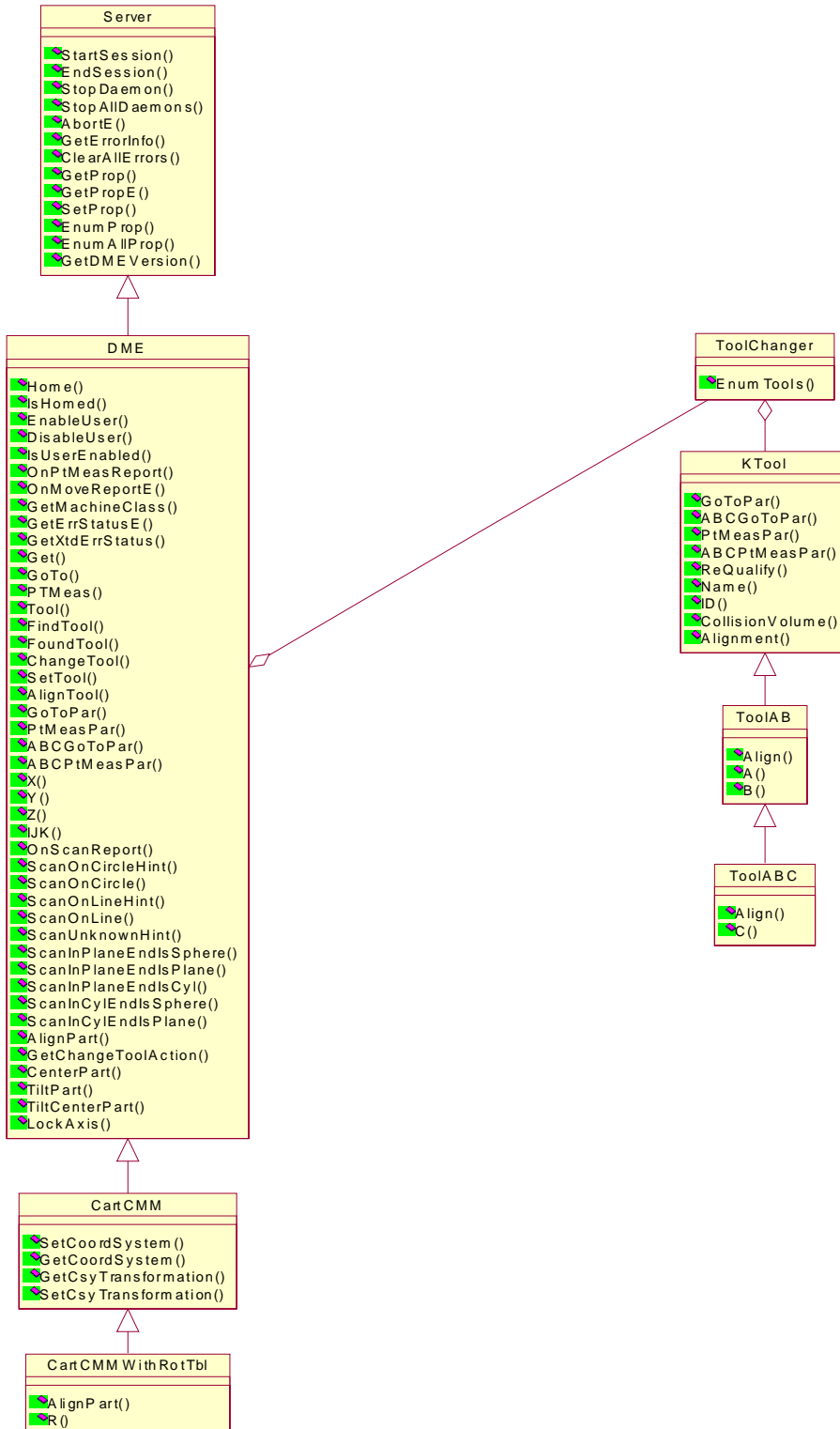
The following diagrams (picture 12 and 13) show the designed class structure of the interface. It shows

- the classes representing the main components of real coordinate measurement equipment (in this, first case coordinate measurement machine)
- the organization of methods and properties in these classes
- the relations between the main classes, the generalizations (specialization vice versa), the aggregations...
- this object model defines the structure of the interface and the syntax. It defines how to set and get the properties of the virtual components of this machine (section 6)
- Picture 11 is generated to help at a first step with the most important commands.
- Picture 12 is reengineered from and consistent with the header files (section 9). It shows also programming aspects as virtual definitions of methods in upper classes as DME and also property aspects as GoToPar and PtMeasPar blocks.



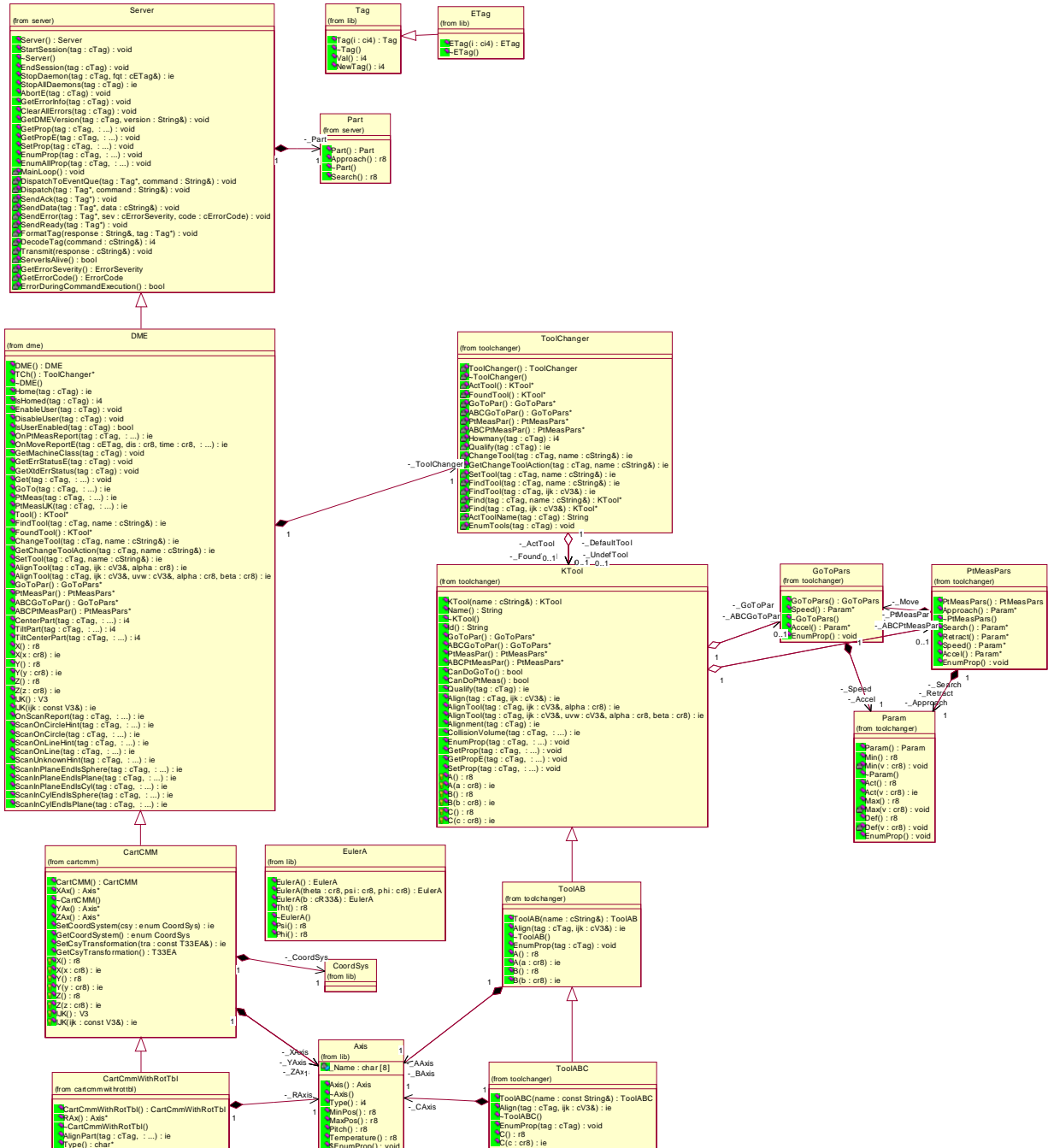
## 5.2 Reduced Object Model

Picture 12: Reduced object model. Outside view, method oriented



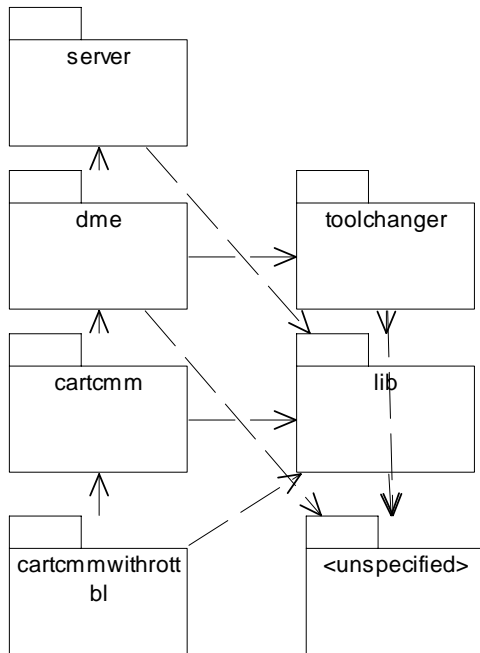
### 5.3 Full Object Model

Picture 13: Full Object Model; please zoom the .pdf file view



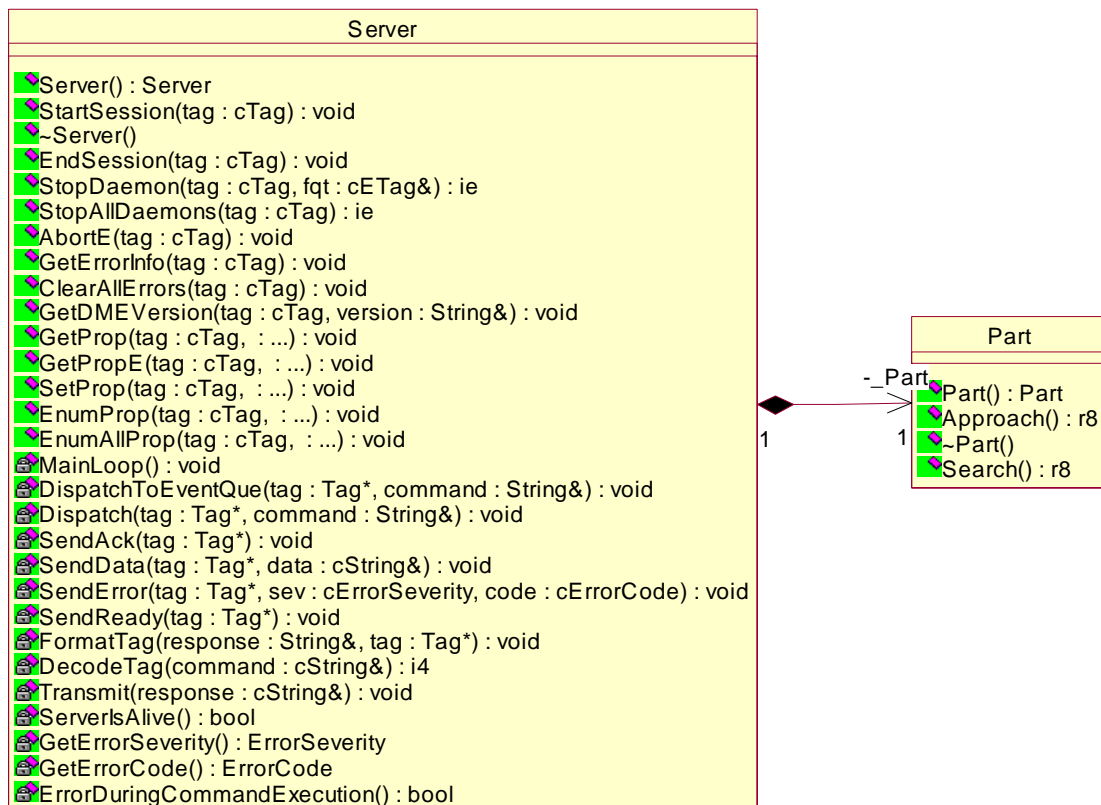
## 5.4 Packaging for visualization

Picture 14: Object Model Containers



## 5.5 Contents of server

Picture 15: Container server



## 5.6 Contents of dme

Picture 16: Container dme

| DME   |
|---|
| ❖ DME() : DME   |
| ❖ TCh() : ToolChanger*  |
| ❖ ~DME()  |
| ❖ Home(tag : cTag) : ie   |
| ❖ IsHomed(tag : cTag) : i4  |
| ❖ EnableUser(tag : cTag) : void   |
| ❖ DisableUser(tag : cTag) : void  |
| ❖ IsUserEnabled(tag : cTag) : bool  |
| ❖ OnPtMeasReport(tag : cTag, ...) : ie  |
| ❖ OnMoveReportE(tag : cTag, dis : cr8, time : cr8, ...) : ie                  |
| ❖ GetMachineClass(tag : cTag) : void  |
| ❖ GetErrStatusE(tag : cTag) : void  |
| ❖ GetXtdErrStatus(tag : cTag) : void  |
| ❖ Get(tag : cTag, ...) : void   |
| ❖ GoTo(tag : cTag, ...) : ie  |
| ❖ PtMeas(tag : cTag, ...) : ie  |
| ❖ PtMeasJK(tag : cTag, ...) : ie  |
| ❖ Tool() : KTool*   |
| ❖ FindTool(tag : cTag, name : cString&) : ie                                  |
| ❖ FoundTool() : KTool*  |
| ❖ ChangeTool(tag : cTag, name : cString&) : ie                                |
| ❖ GetChangeToolAction(tag : cTag, name : cString&) : ie                       |
| ❖ SetTool(tag : cTag, name : cString&) : ie                                   |
| ❖ AlignTool(tag : cTag, ijk : cV3&, alpha : cr8) : ie                         |
| ❖ AlignTool(tag : cTag, ijk : cV3&, uvw : cV3&, alpha : cr8, beta : cr8) : ie |
| ❖ GoToPar() : GoToPars*   |
| ❖ PtMeasPar() : PtMeasPars*   |
| ❖ ABC GoToPar() : GoToPars*   |
| ❖ ABC PtMeasPar() : PtMeasPars*   |
| ❖ CenterPart(tag : cTag, ...) : i4  |
| ❖ TiltPart(tag : cTag, ...) : i4  |
| ❖ TiltCenterPart(tag : cTag, ...) : i4  |
| ❖ X() : r8  |
| ❖ X(x : cr8) : ie   |
| ❖ Y() : r8  |
| ❖ Y(y : cr8) : ie   |
| ❖ Z() : r8  |
| ❖ Z(z : cr8) : ie   |
| ❖ JK() : V3   |
| ❖ JK(ijk : const V3&) : ie  |
| ❖ OnScanReport(tag : cTag, ...) : ie  |
| ❖ ScanOnCircleHint(tag : cTag, ...) : ie                                      |
| ❖ ScanOnCircle(tag : cTag, ...) : ie  |
| ❖ ScanOnLineHint(tag : cTag, ...) : ie  |
| ❖ ScanOnLine(tag : cTag, ...) : ie  |
| ❖ ScanUnknownHint(tag : cTag, ...) : ie                                       |
| ❖ ScanInPlaneEndIsSphere(tag : cTag, ...) : ie                                |
| ❖ ScanInPlaneEndIsPlane(tag : cTag, ...) : ie                                 |
| ❖ ScanInPlaneEndIsCyl(tag : cTag, ...) : ie                                   |
| ❖ ScanInCylEndIsSphere(tag : cTag, ...) : ie                                  |
| ❖ ScanInCylEndIsPlane(tag : cTag, ...) : ie                                   |

## 5.7 Contents of cartcmm

Picture 17: Container cartcmm

| CartCMM                                  |                 |
|--|-----------------|
| CartCMM()                                | : CartCMM       |
| XAx()                                    | : Axis*         |
| ~CartCMM()                               |                 |
| YAx()                                    | : Axis*         |
| ZAx()                                    | : Axis*         |
| SetCoordSystem(csy : enum CoordSys)      | : ie            |
| GetCoordSystem()                         | : enum CoordSys |
| SetCsyTransformation(tra : const T33EA&) | : ie            |
| GetCsyTransformation()                   | : T33EA         |
| X()                                      | : r8            |
| X(x : cr8)                               | : ie            |
| Y()                                      | : r8            |
| Y(y : cr8)                               | : ie            |
| Z()                                      | : r8            |
| Z(z : cr8)                               | : ie            |
| IJK()                                    | : V3            |
| IJK(ijk : const V3&)                     | : ie            |

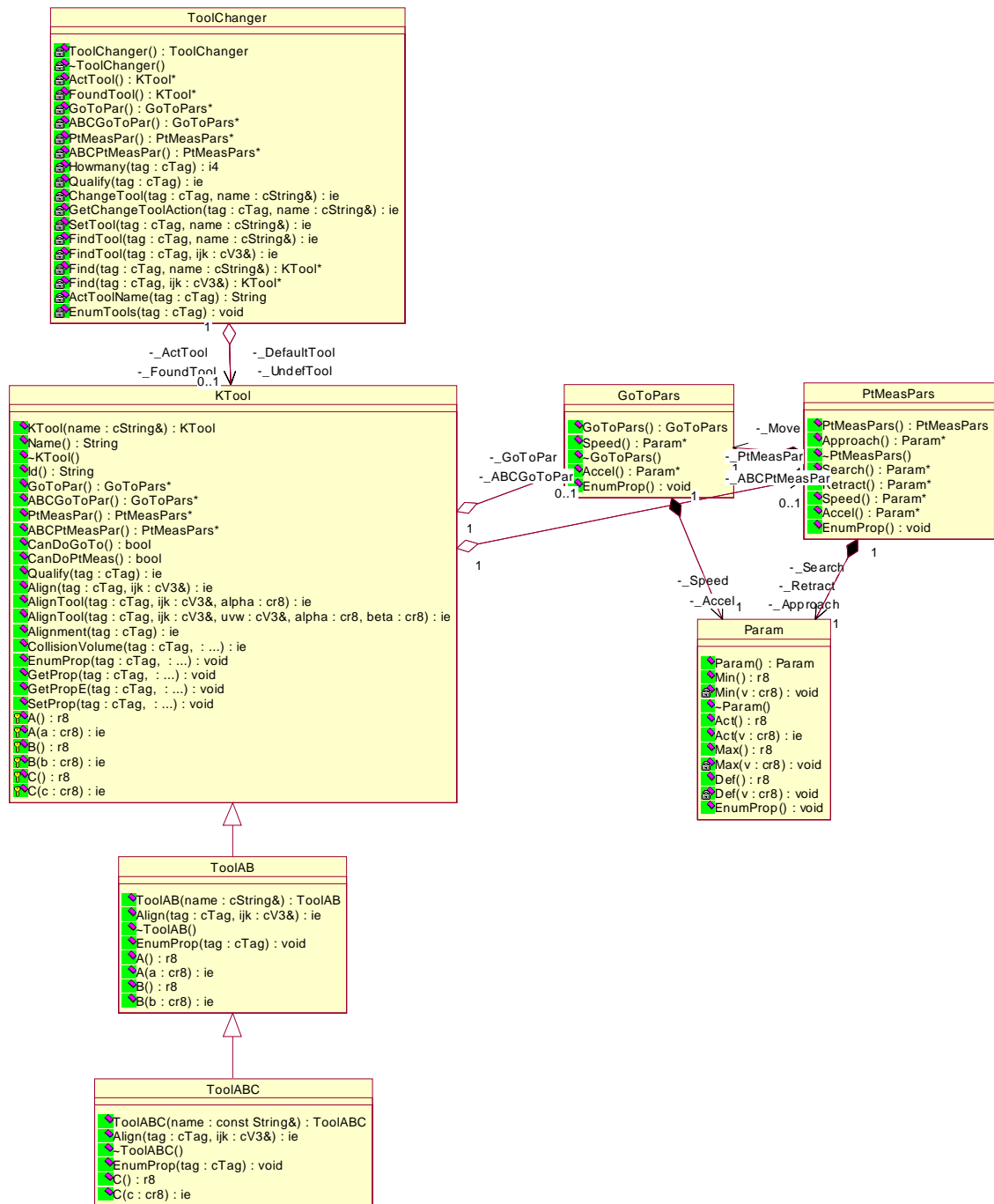
## 5.8 Contents of cartcmmwithrotarytable

Picture 18: Container cartcmmwithrotarytable

| CartCmmWithRotTbl            |                     |
|------------------------------|---------------------|
| CartCmmWithRotTbl()          | : CartCmmWithRotTbl |
| RAx()                        | : Axis*             |
| ~CartCmmWithRotTbl()         |                     |
| AlignPart(tag : cTag, : ...) | : ie                |
| Type()                       | : char*             |

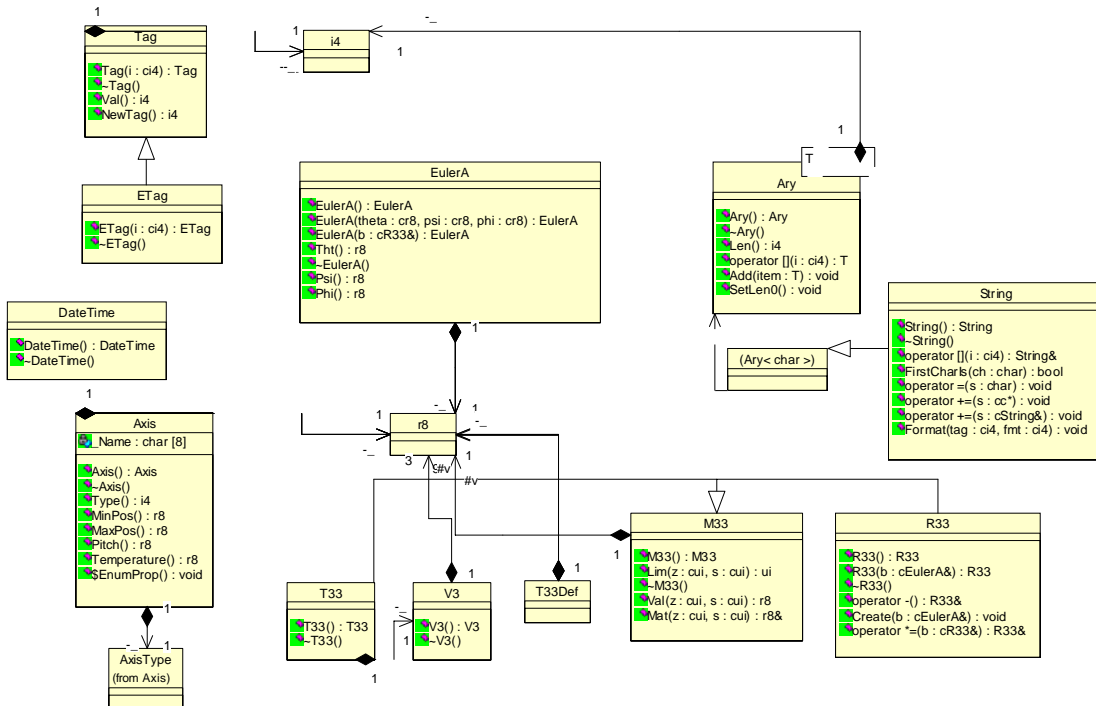
## 5.9 Contents of toolchanger

Picture 19: Container toolchanger



## 5.10 Contents of lib and unspecified

Picture 20: Container libandunspecified



|            |               |             |                |      |     |     |          |
|------------|---------------|-------------|----------------|------|-----|-----|----------|
| cErrorCode | ErrorSeverity | cPtMeasPars | cErrorSeverity | cui2 | ci2 | cbo | CoordSys |
|------------|---------------|-------------|----------------|------|-----|-----|----------|

|           |       |      |         |      |              |           |     |      |
|-----------|-------|------|---------|------|--------------|-----------|-----|------|
| cGoToPars | cETag | cTag | cString | cR33 | MachineClass | ErrorCode | cV3 | cM33 |
|-----------|-------|------|---------|------|--------------|-----------|-----|------|

|       |       |         |        |     |    |     |      |     |    |     |
|-------|-------|---------|--------|-----|----|-----|------|-----|----|-----|
| cPart | cAxis | cEulerA | cT33EA | cuc | uc | cui | cT33 | cie | ie | ci4 |
|-------|-------|---------|--------|-----|----|-----|------|-----|----|-----|

|    |     |    |     |      |     |    |    |     |    |    |
|----|-----|----|-----|------|-----|----|----|-----|----|----|
| bo | cr4 | r4 | cr8 | cich | ich | ui | l2 | ui2 | cc | ch |
|----|-----|----|-----|------|-----|----|----|-----|----|----|

|        |       |      |
|--------|-------|------|
| EulerW | T33EA | bool |
|--------|-------|------|

## 6 Protocol

### 6.1 Communication

Communication between application client and I++DME server is based on the standard TCP/IP protocol. It uses the application port with port-no. 1294.

#### 6.1.1 Character set

All bytes received and sent on the application port of the server are interpreted as 8-bit ASCII characters. The 128's bit must always be zero.

Only characters in the range from ASCII code = 32 (space) to ASCII code = 126 (~) may be used, except that the character pair Carriage Return (<CR>, ASCII code = 13) and Line Feed (<LF>, ASCII code = 10) is used as a line terminator.

<CR> and <LF> must always be sent as a pair in the order <CR> followed by <LF>.

If the server receives a message containing any character outside of this range or containing a <CR> or <LF> anywhere except at the end of the message, the server must send an error response, using error 0007, "Illegal character".

Upper case letters and lower case letters are regarded as different letters in this protocol. In other words, the protocol is case sensitive.

#### 6.1.2 Units

Numbers that represent measures must use the following units.

Length: millimeters

Time: seconds

Angles: decimal degrees (no minutes or seconds)

Temperature: degrees Celsius

Force: Newtons

Compound measures use combinations of these units. For example, speed (which is length per unit time) must be expressed in millimeters per second.

#### 6.1.3 Enumeration

An enumeration is a list of zero to many items from a specified list of candidate items. Each item may appear in the enumeration list at most once, and the order in which the items appear on the enumeration list is not significant. For example, if the candidate list is (a, b, c, d, e):

1. (a, b, d) and (d, a, b) are the same enumeration, and both are legal.
2. (c, b, c) are illegal because c appears twice.
3. (c, e, h) are illegal because h does not appear in the candidate list.

#### 6.1.4 Definitions used in formats

This section defines the entire syntax of well-formed I++ DME commands



and responses, up to the <CR> <LF> line terminator. The syntax is defined using a production language. The production language is described in section 6.1.4.1 and the syntax in section 6.1.4.2.

#### 6.1.4.1 Production Language

Each statement in the production language is a single line of the form

term ::= definition

This means that any sequence of characters that matches the definition can be considered to be an instance of the term.

For example, Num ::= "0".."9" is a statement that means a Num is defined to be any of the characters from zero to nine.

The following special symbols are used in the production language.

"" Any single character between double quotes means that literal single character. For example "X" means X (ASCII 88).

.. means in the range. For example, "0".."9" means a single digit between zero and nine (including 0 and 9).

| means "or"

() A set of left and right parentheses means exactly one of whatever is enclosed. For example, (A | B) means A or B. If a left or right parenthesis is surrounded by double quotes, i.e. "(" or ")", it loses its special meaning and is just a single character.

[] A set of square brackets means zero or one of whatever is enclosed. For example, ["+" | "-"] means a plus sign, a minus sign, or no sign at all.

{ } A set of curly brackets means zero to many of whatever is enclosed. For example, {Num} means zero to many digits.

Anything on the right side of a statement that is not a special symbol must be either a term already defined or a single character enclosed by double quotes. Spaces inside a line have no significance other than to separate terms.

#### 6.1.4.2 Syntax

The syntax described here is complete, except that actual allowed values of Name and ArgList are much more limited than given here. Only names of actual Commands may be used, and for each Command, only certain arguments are valid. The allowed names and arguments are described in sections 6, 11, and 12.

In four cases below, additional limitations are placed on allowed syntax using natural language.

The definition of Number is necessarily messy-looking because the following three conditions (among others) must apply:

- a. There must be at least one digit somewhere in the number.
- b. It is OK if there are no digits before the decimal point.
- c. It is OK if there are no digits after the decimal point.

In natural language, the definition of a number means: An optional sign followed by one or more digits (optionally with a decimal point before the digits, between two digits, or after the last digit) followed optionally by an exponent. An exponent is an upper case E or a lower case e followed by an optional sign, followed by one, two, or three digits.

The definition of ErrorResponse is given on two lines because it will not fit on one line.

The definition implements the following rules regarding optional spaces. Any number of optional spaces may appear (1) before or after a comma, (2) before or after a left parenthesis (3) before a right parenthesis. Optional spaces may appear nowhere else. Note that a single non-optional space is required in several places.

s ::= " "

I.e. a single space (ASCII 32)

q ::= ""

I.e. a double-quote character (ASCII 34)

Char ::= s | "!" | "#" | .. | "~"

I.e. ASCII character codes from space (ASCII 32) to ~ (ASCII 126), excluding the double quote character (ASCII 34).

String ::= q Char {Char} q

the maximum string length is limited by the maximum line length, see section 6.2.

Alp ::= "A" .. "Z" | "a" .. "z"

I.e. any upper case letter (ASCII 65 to 90) or lower case letter (ASCII 97 to 122)

Num ::= "0" .. "9"

I.e. any digit (ASCII 48 to 57).

BasicName ::= Alp {Alp | Num}

Name ::= BasicName { "." BasicName }

UnsInt ::= Num Num Num Num

Tag ::= Num UnsInt  
except that 00000 is not allowed.

ETag0 ::= "E" "0" "0" "0" "0"

ETag ::= "E" UnsInt  
except that E0000 (which is ETag0) is not an ETag.

Exponent ::= ("E" | "e") ["+" | "-"] Num [Num [Num]]

Number ::= ["+" | "-"] ( (Num {Num} ["."]{Num}) | ( "." Num {Num} ) ) [Exponent]  
except that the total number of digits shall not exceed 16.

SCommaS := {s} "," {s}

SLeftParenS := {s} "(" {s}

SRightParen := {s} ")"

PropertyArgList ::= [Number {SCommaS Number}]  
Note that this may possibly be no characters at all.

Property ::= Name SLeftParenS PropertyArgList SRightParen

Argument ::= String | Number | Property | ETag | BasicName

MethodArgList ::= [Argument {SCommaS Argument}]  
Note that this may possibly be no characters at all.

Method ::= BasicName SLeftParenS MethodArgList SRightParen

Command ::= (Tag | ETag) s Method

AckResponse ::= (Tag | ETag) s "&"

DoneResponse ::= (Tag | ETag) s "%"

NumData ::= Number {SCommaS Number}

PropData ::= String SCommaS String

PropertyList ::= Property {SCommaS Property}

DataData ::= NumData | PropData | Method | PropertyList

DataResponse ::= (Tag | ETag) s "#" s DataData

F1 ::= Num

F2 ::= UnsInt

F3 ::= String

Text ::= String

ErrorResponse ::= (Tag | ETag) s "!" s "E" "r" "r" "o" "r"  
SLeftParenS F1 SCommaS F2 SCommaS F3 SCommaS Text SRightParen

Response ::= AckResponse | DoneResponse | DataResponse | ErrorResponse

## 6.2 Protocol Basics

- The protocol is line oriented.
- Each line must be terminated by <CR><LF>.
- The maximum number of characters in a line should not exceed 65536.
- A line sent from the client to the server is called a CommandLine.
- A line sent from the server to the client is called a ResponseLine.
- In examples the terminating <CR><LF> is not shown !
- The protocol is case sensitive.

### 6.2.1 Tags

The first 5 characters of each CommandLine represent a tag.  
The client generates these tags. The client uses two types of tags:

- CommandTag
- EventTag

A CommandTag is a 5 digit decimal number with leading zeros present.  
The number must be between 00001 and 99999.  
Command tags are considered to be numbers in the range of 00001 and 99999.

The client must make sure, that command tags sent to the server are unique while the server processes the commands related to the tags. The easiest way to accomplish this is to increment the tag number each time a new command is sent.

Examples of Command tags created by the client:

```

04711          // tag is ok
01710          // ok
00020          // ok
20             // error; only 2 digits
00000          // error; out of range must be >=00001 and <=99999

```

An EventTag is a 4 digit decimal number that is preceded by the character E (ASCII code=69).

The number must be between 0001 and 9999.

Event tags are considered to be enums in the range of E0001 and E9999.

To differ in the command layer also between the normal and fast queue, commands for the fast queue end with an upper case E. The reason is to be independent from the transport layer.

The client must make sure, that event tags send to the server are unique while the server processes the commands related to the event tags. The easiest way to accomplish this is to increment the tag number each time a new command is sent.

Examples of Event tags created by the client:

```

E3333          // tag is ok
E0456          // ok
E0000          // error; out of range must be >=1 and <=9999
E20            // error; only 3 characters
A4711          // error; illegal first character

```

As for a CommandLine, the first 5 characters of a ResponseLine represent a tag (ResponseTag). During normal command processing by the server it will use the tag received from the client as ResponseTag so the client can use this tag to relate the ResponseLine to a CommandLine.

In addition the server can send a ResponseLine using ResponseTag E0000 for reporting unsolicited events to the client. The “Illegal tag” error message should be reported by the E0000 tag.

Only event commands may be send with an event tag.

## 6.2.2 General line layout

From now on we will use

- Command as a synonym for CommandLine
- Response as a synonym for ResponseLine.

### 6.2.2.1 CommandLine

The first 5 characters in each CommandLine represent the CommandTag.

The character at column 6 must be a space (ASCII code = 32).

The command starts at column 7.

Command ::= Tag | Etag “ “ Method

### 6.2.2.2 ResponseLine

The first 5 characters in each Response line represent the ResponseTag.  
The character at column 6 must be a space (ASCII code = 32).  
The character at column 7 must be one of the following:

- &
- %
- #
- !

The meaning of the character at column 7 is explained later.  
The character at column 8 must be a space when the line length is greater than 7.

Example:

00004 # X(99.93), Y(17.148)

In addition the returned data must exactly match the requested data. No data may be omitted and no data may be added to the response line.

### 6.2.2.3 Definitions

In the following we will use

- Ack as a synonym for a ResponseLine where the 7<sup>th</sup> character is a &
- Transaction complete
- as a synonym for a ResponseLine where the 7<sup>th</sup> character is a %
- Data as a synonym for a ResponseLine where the 7<sup>th</sup> character is a #
- Error as a synonym for a ResponseLine where the 7<sup>th</sup> character is a !

### 6.2.3 Transactions

The basic protocol unit is a transaction. For each transaction, the client will create a tag. The tag identifies the transaction.

- Transactions are initiated by the client.
- The same tag is used during a transaction.
- Transactions can overlap.
- A client can start a new transaction only after having received an Ack of the previous transaction (except StartSession()) from the server.
- When using overlapped transactions, tags sent to the server must be unique.
- When using overlapped transactions and the server is too busy to accept new transactions it must delay sending the Ack until it is ready to accept a new transaction.
- When using overlapped transactions, the server must make sure that the Ack, Data (Error) and Transaction complete are sent back to the client in the right order. This means, if transaction 00001 is started before transaction 00002, the server is not allowed to send a Data, Error or Transaction complete from transaction 00002 before the Transaction complete from transaction 00001. At any point in time the server is allowed to send a line starting with an EventTag.

A transaction is complete after the server sends the Transaction complete. If a transaction is complete, all processing on the driver side related to the transaction has completed.

### 6.2.3.1 Example

| Client to Server       | Server to Client   | Comment   |
|------------------------|--|---|
| 00001 Home()           |  | Use tag 00001 for home command, client sends “home” command |
|                        | 00001 &  | Server accepts command (Ack)                                |
|                        | 00001 %  | Server reports transaction complete                         |
|                        |  |   |
| 00002 GoTo(X(100))     |  | Move to x=100   |
|                        | 00002 &  | command accepted (Ack)                                      |
|                        | 00002 %  | position reached (Transaction complete)                     |
|                        |  |   |
| 00003 GoTo(X(100000))  |  | moving out of limits  |
|                        | 00003 &  | command accepted  |
|                        | 00003 ! Error(3, 2500, GoTo, “Machine limit encountered (Move Out Of Limits)”) | Error message   |
|                        | 00003 %  | transaction complete  |
|                        |  |   |
| 00004 ClearAllErrors() |  | Clear all server errors                                     |
|                        | 00004 &  |   |
|                        | 00004 %  |   |
|                        |  |   |
| 00005 Get(X(), Y())    |  | get position of x, y axis                                   |
|                        | 00005 &  |   |

|  |                                |                      |
|--|--------------------------------|----------------------|
|  | 00005 # X(99.93),<br>Y(17.148) | x and y position     |
|  | 00005 %                        | Transaction complete |

## 6.2.4 Events

At any point in time the server may notify that something happened by sending an event to the client.

If the event is triggered by a transaction, the tag used is that of the transaction.

The server must first send an Ack before it can send the Response with the EventTag.

This Response can then be sent before or after the Transaction complete.

If an event is triggered by a command, f.I. ErrStatusE, the server handles the execution of the command (responding of the error status) with a higher priority. The Transaction complete is responded in the order of the standard queue.

At any point in time the server can send a Response with EventTag E0000 to inform the client that something unsolicited has happened in the server.

### 6.2.4.1 Examples

Unsolicited error message

| Client to Server | Server to Client   | Comment  |
|------------------|--|--|
|                  |  |  |
|                  | E0000 ! Error(3, 500,<br>HealthCheck,<br>“Emergency Stop”) | An unsolicited error message occurs                                      |
|                  |  | In this example the client must display error and inform user what to do |
|                  |  |  |

Assume the user moves the machine using joysticks and the server wants to report this movement.

| Client to Server  | Server to Client                 | Comment                        |
|---|----------------------------------|--------------------------------|
| 00048 EnableUser()  |                                  |                                |
|   | 00048 &                          |                                |
|   | 00048 %                          |                                |
|   |                                  |                                |
| E0553<br>OnMoveReportE(Time(1),Dis(2<br>0),X(), Y(), Z()) |                                  |                                |
|   | E0553 &                          |                                |
|   | E0553 %                          |                                |
|   |                                  | Now the user moves the machine |
|   | E0553 # X(50), Y(433),<br>Z(500) |                                |



|                         |                                  |  |
|-------------------------|----------------------------------|--|
|                         | E0553 # X(50), Y(433),<br>Z(520) |  |
|                         | ...                              |  |
|                         |                                  | Now the client wants to stop reporting of the server and sends |
| 00049 StopDaemon(E0553) |                                  |  |
|                         | 00049 &                          |  |
|                         | E0553 # X(50), Y(433),<br>Z(530) |  |
|                         | 00049 %                          | no events with tag E0553 may follow                            |

## 6.2.5 Errors

If the server detects an error condition, it will report the error using the tag of the Command it was executing when the error was detected. In case of error severity class equal or greater 2 the server will abort all pending transactions.

In this situation the client may only send the commands GetErrStatusE(), GetXtdErrStatus() or ClearAllErrors(). Being in an error situation of a severity class higher than 2 the client must invoke the ClearAllErrors() method before the server can continue processing the other commands.

Further details regarding error handling are given in section 8.

## 6.3 Method Syntax

The reference for this description is the C++ class definition that is part of this documentation. Please note that in the class description the first argument of all methods is Tag. This argument is converted into a CommandTag or EventTag as described before and is therefore not part of this documentation (see Server::FormatTag() method).

### 6.3.1 Server Methods

A session defines the time period after the client has sent a StartSession() until the client sends an EndSession() to the server.

Several states are preserved when the server is shut down, e.g. the active tool.

If no session is active, the server will accept only StartSession() and EndSession() commands.

If a Session is active and a StartSession is received an error is generated (0008, "Protocol error").

If an EndSession is received while no session is active, this command will do nothing.

This handling will guarantee that sending an EndSession() followed by a StartSession will start a new session in any case.

#### 6.3.1.1 StartSession()

After having completed the connection between client and server on the TCP/IP level (see section 9.2) the StartSession method initiates the connection between client and server. The client should not send a StartSession() command while a session is in progress.

##### ➤ StartSession()

Parameters None.

Data None.

Errors 0008 "Protocol error"

Remarks The server may for example use this method to perform initial checks  
Like which tool is active, ...

The method does not perform any initializations. This means that the server is in a state that was set via the server GUI or was left over from the previous session.

The client can be sure that no events or daemons are pending from the session before.

During StartSession():

The default arguments for OnPtMeasReport is set to (X(),Y(),Z())

OnScanReport is set to (X(),Y(),Z(),Q())

StartSession() implicitly executes ClearAllErrors()

StartSession() activates the previously defined coordinate system and tool properties.  
of the last session (if available, see section 9.4).

StartSession() implicitly resets all Hints.

Before an additional StartSession() an EndSession() has to be send by the client.

#### 6.3.1.2 EndSession()

The client invokes this method to end a session between client and server.

After an EndSession transaction is complete, the client may do one of the following:  
 issue a StartSession command to start a new session,  
 close the TCP/IP connection (see section 9.3),  
 do nothing for an indeterminate period of time.  
 If the server is intended to be available for use by other clients, it is recommended  
 that the client closes the TCP/IP connection promptly when the client no longer needs  
 the server.

➤ EndSession()

Parameters The method has no parameters.  
 Data None.  
 Errors No errors are returned.  
 Remarks The method must make sure that all daemons are stopped and no events are sent  
 after it completes. The following states of the server are preserved upon connection  
 of the next client:  
 Active tool  
 Active coordinate system

### 6.3.1.3 StopDaemon(..)

The client invokes this method to stop a daemon identified by its EventTag.

➤ StopDaemon(EventTag)

Parameters EventTag of daemon to be stopped.  
 Data None.  
 Errors 0513: Daemon Does Not Exist.

### 6.3.1.4 StopAllDaemons()

The client invokes this method to stop all daemons.

➤ StopAllDaemons()

Parameters None.  
 Data None.  
 Errors 0512 “No daemons are active”  
 Remarks The method must make sure that all daemons are stopped and no events are sent  
 after it completes.

### 6.3.1.5 AbortE()

The client invokes this method to abort all pending transactions and if possible the current one.

➤ AbortE()

Parameters None.  
 Data None.

Errors None.

Remarks The client must invoke the `ClearAllErrors()` method before the server will process new methods.

On receiving an `AbortE` command, the server must:

- (a) stop all motion as soon as possible,
- (b) stop executing any currently executing commands (except daemons),
- (c) not start any pending commands (those for which an `Ack` has been sent but for which execution has not yet started), and
- (d) stop sending data responses for any currently executing commands.

For currently executing commands, the server must send either a `TransactionComplete` (for all event commands and any other commands that are completed) or an error "Transaction aborted" for non-event commands that are not complete. For pending commands, the server must send an error "Transaction aborted".

The `AbortE` command itself is not to be reported complete until the responses just described have been sent. After sending an `AbortE` command, the client must not send any other commands until a `TransactionComplete` has been received in response to the `AbortE`. The next command sent by the client must be a `ClearAllErrors` command. If the server receives any other command following an `AbortE`, it must send an error response using error 0514 "Use `ClearAllErrors` to continue".

Normal error handling (error occurrence, `AbortE()`, `ClearAllErrors()`...) does not terminate the execution of daemons. This special commands must be ended by `StopDaemon()` or `StopAllDaemon` or `EndSession()`.

### 6.3.1.6 `GetErrorInfo(..)`

The client invokes this method to retrieve the error-information stored in the server.

➤ `GetErrorInfo(..)`

Parameters Error-Number.  
 Data String  
 Errors None.

### 6.3.1.7 `ClearAllErrors()`

The client invokes this method to enable the server to recover from an error.

➤ `ClearAllErrors()`

Parameters None.  
 Data None.  
 Errors None.

Examples

| Client to Server                 | Server to Client | Comment |
|----------------------------------|------------------|---------|
| 00051 <code>GoTo(X(1000))</code> |                  |         |
|                                  | 00051 &          |         |
| 00052 <code>GoTo(Y(300))</code>  |                  |         |

|                        |  |  |
|------------------------|--|--|
|                        | 00052 &  |  |
|                        |  | The client wants to abort the moves and sends      |
| E0053 AbortE()         |  |  |
|                        | E0053 &  |  |
|                        | 00051 !<br>Error(2,0006,GoTo,“Transaction aborted”)          |  |
|                        | 00051 %  |  |
|                        | 00052 !<br>Error(2,0006,GoTo,“Transaction aborted”)          |  |
|                        | 00052 %  |  |
|                        | E0053 %  |  |
|                        |  |  |
|                        |  | If the client now sends                            |
| 00054 Get(X())         |  |  |
|                        | 00054 &  |  |
|                        | 00054 ! Error(2,0511,Get,“Error processing method”)          |  |
|                        | 00054 ! Error(2,0514,Get,“Use clear all errors to continue”) |  |
|                        | 00054 %  | the server will still be in an error state         |
|                        |  |  |
| 00055 ClearAllErrors() |  |  |
|                        | 00055 &  |  |
|                        | 00055 %  | the server is now ready to accept new method calls |
|                        |  |  |
| 00056 Get(X())         |  |  |
|                        | 00056 &  |  |
|                        | 00056 # X(23)  |  |
|                        | 00056 %  |  |

### 6.3.1.8 Information for handling properties

Each object of the system has to provide functionality to support the following functions.

- GetProp(), GetPropE()
- SetProp()
- EnumProp(), EnumAllProp()

A base set of properties, common for all types of machines and tools are defined in the spec. Additional vendor or technology specific properties may be added and can be handled via the above defined functions. This increases the extendibility and flexibility of the specification.

### 6.3.1.9 GetProp(..)

The client uses this method to query properties of the system. F.I. Speed, Speed.Max...

➤ GetProp(..)

Parameters The argument list is an enumeration of one or more of the following methods.

Tool.PtMeasPar.Speed()  
Tool.PtMeasPar.Speed.Max()  
Tool.GoToPar.Accel()  
or other methods that return properties.

Data The format and sequence is defined by the method enumerated.

Errors Errors of the enumerated methods.

### 6.3.1.10 GetPropE(..)

GetPropE is handled with a high priority. See GetProp().

### 6.3.1.11 SetProp(..)

The client uses this method to set properties of the system changeable via the interface inside the defined ranges.

➤ SetProp(..)

Parameters The argument list is an enumeration of one or more of the following methods.

Tool.PtMeasPar.Speed(100)  
Tool.GoToPar.Accel(10)  
or other methods that set properties.

Data None.

Errors Errors of the enumerated methods.

If a value is out of range the defined warning 0504 must be returned.

Remarks Not all properties of the system are settable via the DME interface. This is the case f.I. for Speed.Max, Speed.Min, Accel.Max... These properties are related to the Tool. They can be fixed for one Tool or definable during qualification.

### 6.3.1.12 EnumProp(..)

The client uses this method to query properties of the system. It returns the names and the types of the direct children properties.

➤ EnumProp(..)

Parameters A pointer to an object, e.g. parameter block.

Data Tool.PtMeasPar()  
Tool.GoToPar()  
Returns the names of all values  
The client can use the type information provided to check,  
if the returned name is a value or a property.  
The property type is returned  
“Number”  
“String”  
“Property” ! Means class which has own properties  
See example section 7.7.

Errors Errors of the enumerated methods.

### 6.3.1.13 EnumAllProp(..)

The client uses this method to query properties of the system. It returns the names and types of the immediate children and all sub (grand-) children of a property.

➤ EnumAllProp(..)

Parameters A pointer to an object, e.g. parameter block.

Data Tool()  
Returns the names of all values and the names of all child properties  
of the property.  
The client can use the type information provided to check,  
if the returned name is a value or a property.  
The property type is returned  
“Number”  
“String”  
See example section 7.8.

Errors Errors of the enumerated methods.

### 6.3.1.14 GetDMEVersion()

The client uses this method to query the version number of the DME spec implemented

by the server.

➤ GetDMEVersion()

Parameters None.

Data DMEVersion(“DMEVersion”)

Errors 0501 Unsupported command

Remarks This command is defined first in DME spec 1.4. So implementations based on previous specs will react on this command by 0501 Unsupported command. If the client gets this result on that command, checked by tag, it can try to proceed by ClearAllErrors... and the different and reduced functionality of older specs and implementations.

The version number is returned as a string.

Examples

| Client to Server      | Server to Client             | Comment |
|-----------------------|------------------------------|---------|
| 00051 GetDMEVersion() |                              |         |
|                       | 00051 &                      |         |
|                       | 00051 #<br>DMEVersion(“1.4”) |         |
|                       | 00051 %                      |         |

## 6.3.2 DME Methods

### 6.3.2.1 Home()

The client uses this method to home the machine. The server must be homed before the client can invoke methods that move the machine.

When the home command is executed, the server will move the machine to its home position.

The home position for a given machine is specific to the machine and is implementation dependent.

The home position for a given machine is fixed. Any type of in-range axis motion may occur during execution of Home. The only requirement is that the final position be the home position.

➤ Home()

Parameters None.

Data None.

Errors 1005: Error During Home.

### 6.3.2.2 IsHomed()

The client uses this method to query if all necessary machine axes are homed.

➤ IsHomed()



|            |                                       |
|------------|---------------------------------------|
| Parameters | None.                                 |
| Data       | IsHomed(Bool).                        |
|            | Bool = 0                    not homed |
|            | Bool = 1                    is homed  |
| Errors     | None.                                 |
| Remarks    |                                       |

### 6.3.2.3 EnableUser()

The client uses this method to enable user interaction with the machine.

➤ EnableUser()

|            |   |
|------------|---|
| Parameters | None.   |
| Data       | None.   |
| Errors     | None.   |
| Remarks    | The method will have arguments in the next version to allow the client to enable only a subset of the user interface elements like specific keys or joysticks only. |

### 6.3.2.4 DisableUser()

The client uses this method to disable user interaction with the machine.

➤ DisableUser()

|            |   |
|------------|---|
| Parameters | None.   |
| Data       | None.   |
| Errors     | None.   |
| Remarks    | The server calls this method implicitly whenever the client calls a method that physically moves the machine.<br>The following commands implicitly execute DisableUser:<br>Home(), GoTo(), PtMeas(), ChangeTool(), AlignTool(), A(), B(), C() and all ScanOn... Commands. |

### 6.3.2.5 IsUserEnabled()

The client uses this method to query if the user is enabled.

➤ IsUserEnabled()

|            |   |
|------------|---|
| Parameters | None.   |
| Data       | IsUserEnabled(Bool).  |
|            | Bool = 0                    user is disabled  |
|            | Bool = 1                    user is enabled   |
| Errors     | None.   |
| Remarks    | The client should check if the user is enabled after each StartSession() and not rely on a default. |

### 6.3.2.6 OnPtMeasReport(..)

The client uses this method to define which information the server should send to the client when the server has completed the PtMeas command. It defines the format (sequence) and contents.

➤ **OnPtMeasReport (..)**

**Parameters** The enumeration may not be empty.  
 See parameters used at command Get() , section 6.3.2.11. In addition to the arguments allowed at “Get(..)” command, also IJK(), ER() and Q() are possible.  
 Please notice that this property is not a static value of the Tool. It depends on the actual circumstances of the actual measurement (probing direction ...).

**Data** None.

**Errors** 0510: Bad Property .

**Remarks** The server will send a report after the PtMeas command has completed.  
 The results of a PtMeas are defined by the last OnPtMeasReport command and have the tag of the related PtMeas command.  
 If no OnPtMeasReport is set in the current session the server has to use the default (see StartSession).

### 6.3.2.7 OnMoveReportE(..)

This is a command for the Fast Queue!

The client uses this method to define which information the server should send to the client while the machine is moving by starting a daemon.

The command defines the format (sequence) and contents.

➤ **OnMoveReportE (..)**



**Parameters** Time(s), Dis(d), ...  
 Note: This are only parameters of OnMoveReportE daemon and not global server properties as X(), Y()...  
 See parameters used at command Get() , section 6.3.2.11.

**Data** None.

**Errors** 0510: Bad Property.  
 0515: Daemon already exists

**Remarks** The server will send a report if the time interval s has elapsed or the machine has moved more than d millimeters, and in any case the numbers of responses per second must not exceed 10.  
 The value of Time must not be less than 0.1.  
 Responses are generated independent if the move is generated by commands or manually.  
 One response has to be generated also if the position of the tool has moved virtually by ChangeTool() or by SetCoordSystem().  
 The client has the responsibility to end the OnMoveReport by a StopDaemon() or StopAllDaemons before starting a new one.  
 The multiple responses of an OnMoveReportE are returned with the tag of the valid OnMoveReportE command, because it is established by a daemon.

Example      OnMoveReportE(Time(0.5), Dis(0.2), X(), Y(), Z())

### 6.3.2.8 GetMachineClass()

The client uses this method to query the enumerated type of machine.

➤    GetMachineClass()

Parameters    None.

Data            One of the following must be returned:  
                  GetMachineClass(CartCMM)  
                  GetMachineClass(CartCMMWithRotaryTable)

Errors         None .

### 6.3.2.9 GetErrStatusE()

This is a command for the Fast Queue!

The client uses this method to query the error status of the server.

➤    GetErrStatusE()

Parameters    None.

Data            ErrStatus(Bool).  
                  Bool = 1            in error  
                  Bool = 0            ok

Errors         None .

### 6.3.2.10 GetXtdErrStatus()

The client uses this method to query the extended error status of the server.

➤    GetXtdErrStatus()

Parameters    None.

Data            The server may send one or more lines of status information like

                  IsHomed(1)  
                  IsUserEnabled(0)  
                  ...  
                  as well as one or more Errors like  
                  1009: Air Pressure Out Of Range  
                  0512: No Daemons Are Active.

Errors         None.

### 6.3.2.11 Get(..)

The client uses this method to query the position of the active tool. Also temperatures and calibrated tool properties can be requested.

➤ Get(..)

Parameters The argument list is an enumeration of one or more of the following methods.

X()  
Y()  
Z()  
Tool.A()

or other methods that return axis information. Also temperatures and other dynamic properties of the system can be requested.

Data The format is defined by the method enumerated.

Errors Errors of the enumerated methods.

Remarks The parameters request able with “Get” cannot be set directly.

### 6.3.2.12 GoTo(..)

The client uses this method to perform a multi axis move to the target position using the active tool.

➤ GoTo(..)

Parameters The argument list is an enumeration of one or more of the following methods.

X(..)  
Y(..)  
Z(..)  
Or methods which align the part R(..) (please prefer AlignPart()).  
Or methods that change tool properties (like Tool.A(), Tool.B()) (please prefer AlignTool()).

Data None.

Errors Errors of the enumerated methods.

Implicit Tool.GoToPar

Remarks The server will move the machine, so that all axes enumerated will start to move at the same time. The movement is controlled by the Tool.GoToPar block (Speed, Acceleration) if possible. The ready will be sent when the last axis reaches its target position.

Sets implicitly DisableUser(). This mode is active until it is ended by an explicit EnableUser() command or an error.

If any of X(), Y(), Z(), Tool.A()... is not included as an argument, its value while and after the GoTo() is executed must be the same as its value just before the GoTo() was executed. If possible the DME has to use the current nominal value of the controller to prevent drifting by multiple usages.

### 6.3.2.13 PtMeas(..)

The client uses this method to execute a single point measurement using the active tool.

Parameters necessary (Speed, Approach distance, ..) are defined by the active tool

➤ PtMeas(..)

Parameters The argument list is an enumeration of one or more of the following methods.

X(..)  
Y(..)  
Z(..)  
IJK(..)

Data As defined by OnPtMeasReport() method

Errors 1006: Surface Not Found.

Implicit Tool.PtMeasPar  
Tool.GoToPar

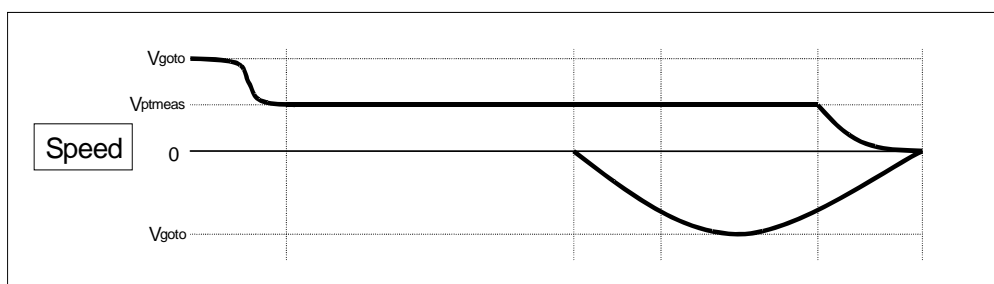
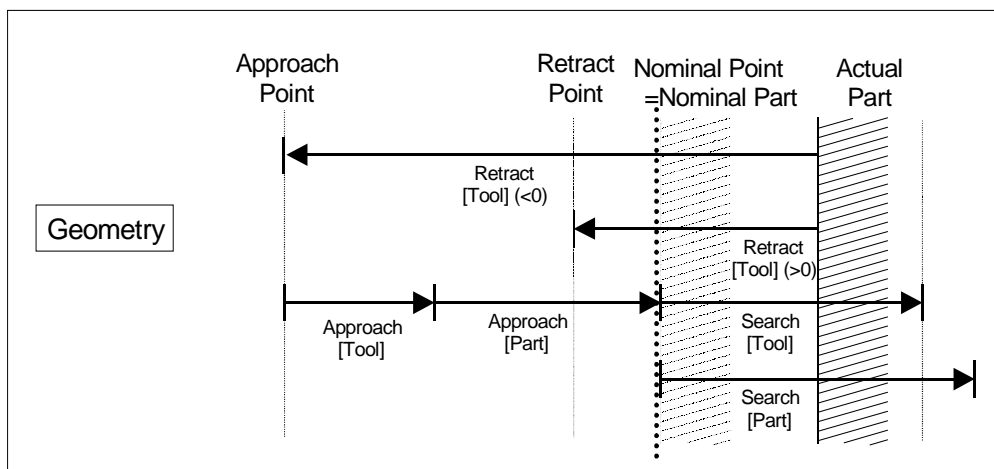
Remarks The PtMeas() method is processed by the server as follows:

If an IJK vector is present

- The vector I, J, K is normalized
- A new position is found by moving in the I,J,K direction from the X,Y,Z nominal position by the following values:

Part.Approach()  
Tool.Approach()

Tool.Radius() (in the drawing assumed zero)



- This new position is called approach position.
- The server moves the machine to the approach position. This move is executed like an implicit GoTo().

- Another new position is found by moving from the X,Y,Z nominal position opposite the I,J,K direction by the value of Tool.Search(). This position is called the end of search position.
- The server moves the machine towards the end of search position using the PtMeasPar of the Tool().
- If the tool has part contact during this move the server latches the position of the center of the ActTool and reports to the client as defined by OnPtMeasReport().
- After contact the server will move the machine according to the value of Tool.Retract() using Tool.GoToPar for the move.  
If Tool.Retract() is greater or equal zero, the server will shift the contact position in the IJK direction by this value and move the machine to this position. If the Tool.Retract() is less than zero, the server will move back to the approach position as defined before.

If an IJK vector is not set by this command

- The I, J, K vector is defined as the direction from the nominal point X, Y, Z to the last position before invoking this method. F.I. the position of the last GoTo command.
- The following procedure is executed as if the I, J, K, was given by the client. See above.

Note that the end of search position may be outside the move limits, but the part surface inside. In this case the server will report success if the surface is still inside or ErrorMoveOutOfLimits. This behavior differs from the GoTo() method.

If any of X(), Y(), Z()... is not included as an argument, its value while and after the PtMeas() is executed

must be the same as its value just before the PtMeas() was executed. If possible the DME has to use the current nominal value of the controller to prevent drifting by multiple usages.

The argument IJK(..) without any linear axis coordinates is currently not allowed.

Sets implicitly DisableUser().

### 6.3.2.14 Information for Tool Handling

To handle special tool behaviors the following tools are defined (predefined, reserved names)

|           |   |
|-----------|---|
| BaseTool  | ! Holds the default DME capabilities, e.g. speed, acceleration. It is a static base class for modeling the other tools and not an instance for usage.   |
| RefTool   | ! Supports all standard tool properties. Is used in many server implementations for basic geometric referencing of the tools to the machine. F.I. defining position of qualification artifact, multiple column referencing... |
| NoTool    | ! Can only move but not measure   |
| UnDefTool | ! Is the error result of a tool handling if the server is not aware what tool loaded. F.I. error during ChangeTool...   |

| Function  | BaseTool    | RefTool | NoTool  | UnDefTool       |
|-----------|-------------|---------|---------|-----------------|
| EnumTools | not visible | visible | visible | not visible     |
| GetProp   | usable      | usable  | usable  | generates error |
| FindTool  | usable      | usable  | usable  | generates error |

|            |                 |        |        |                 |
|------------|-----------------|--------|--------|-----------------|
| ChangeTool | Generates error | usable | usable | generates error |
|------------|-----------------|--------|--------|-----------------|

### 6.3.2.15 Tool()

The client uses this method to select a pointer to the actual activated tool. It can also be used as a pointer to NoTool! See Example 7.6.

➤ Tool()

Parameters None.  
Data None.  
Errors

### 6.3.2.16 FindTool(..)

The client uses this method to get a pointer to a tool with a known name. See Example 7.7.

➤ FindTool("Too1")

Parameters Name of tool to search for.  
Data No data are direct returned, but after using this command the pointer FoundTool is usable. See FoundTool section 6.3.2.17 and example 7.7.  
Errors 1502: Tool Not Found. (FoundTool.Name("UnDefTool"))

### 6.3.2.17 FoundTool()

This method acts as a pointer to a tool with a known name selected by FindTool("xxx"). FoundTool() is only valid after a call to FindTool(), otherwise it is "UnDefTool". See Example 7.7.

➤ FoundTool()

Parameters None.  
Data None.  
Errors 1503, "Tool not defined"  
Remarks Pointer can also be NoTool!

### 6.3.2.18 ChangeTool(..)

The client uses this method to change the tool by ProbeChanger or manually.

➤ ChangeTool("Tool2")

Parameters Name of the tool to activate.  
Data None.  
Errors 1502: Tool Not Found.  
Remarks If an error occurs during the execution of ChangeTool(), the client is responsible to ask the server which tool is active then.

### 6.3.2.19 SetTool(..)

The client uses this method to force the server to assume a given tool is the active tool.

➤ SetTool("Tool2")

➤

Parameters Name of the tool to set.

Data None.

Errors 1502: Tool Not Found.

Remarks If an error occurs during the execution of SetTool(), the client is responsible to ask the server which tool is active then.

The server assumes the active tool is "Tool2".

### 6.3.2.20 AlignTool(..)

The client uses this method to force the tool to orientate according to the given vector(s).

➤ AlignTool(i1,j1,k1, alpha)

➤ AlignTool(i1,j1,k1,i2,j2,k2, alpha, beta)

➤

Parameters One normalized vector (i1, j1, k1). This vector is anti parallel to the main axis of the tool (away from the surface).

Two normalized vectors (i1, j1, k1, i2, j2, k2). The first vector is anti parallel to the main axis of the tool (away from the surface). The second vector describes the orientation in the working plane.

Maximal allowed error angles (alpha, beta) in which the found orientation may differ from the desired one. In case the angle differs, ToolNotFound is returned. In case alpha or beta are zero no error check is performed.

In case 2 vectors are defined alpha is for the check and the response of the first vector, beta is for the second vector.

Data Returns vectors (same number as set) which describe the reached alignment.

Errors 1502: Tool Not Found.

Remarks Each tool must implement its own primary (main axis) and secondary alignment direction. After executing AlignTool the primary direction of the tool is anti parallel to (i1,j1,k1) and the secondary direction is parallel to (i2,j2,k2). Only calibrated or calculated combinations can be used. If more angle combinations are available use the probe offset not the angles for selection.

### 6.3.2.21 GoToPar()

This method acts as a pointer to the GoToParameter block of the DME.



➤ GoToPar()

Parameters None.  
Data pointer.  
Errors None.  
Remarks

### 6.3.2.22 PtMeasPar()

This method acts as a pointer to the PtMeasParameter block of the DME.

➤ PtMeasPar()

Parameters None.  
Data pointer.  
Errors None.  
Remarks

### 6.3.2.23 EnumTools()

The client uses this method to query the names of the available tools (manually or automatically). It returns a list of names.

➤ EnumTools()

Parameters None  
Data Returns the names of all values. F.I.:  
00014 &  
00014 # "RefTool"  
00014 # "NoTool"  
00014 # "NormalTool"  
00014 # "Conf1Tip1"  
00014 # "Conf1Tip2"  
...  
00014 # "SpecialTool"  
00014 %  
Errors  
Remarks See 6.3.2.14  
When Collections are used, only the Tools in this Collection are enumerated.

### 6.3.2.24 Q()

The client uses this property to query the quality of a measurement.

➤ Q()

Parameters None.  
Data Q(q).  
Errors 1503: Tool Not Defined

0509: Bad argument

Remarks This method can only be invoked as an argument of an OnReport method defining the response of measuring values.

The Q() property is a numeric value between 0 and 100 indicating the “quality” of the measured point. A value of 0 defines a “good” point. Depending on the tool used to scan, values from 1 to 100 indicate a lower quality and reliability of the points. A value of 100 marks bad points.

If points are out of the tool’s measuring range, the DME may decide to flag them as “bad points” or stop the scan with an error.

### 6.3.2.25 ER()

The client uses this property to query the effective tool radius actual during a measurement.

➤ ER()

Parameters None.

Data ER(EffectiveToolRad).

Errors 0509: Bad argument

Remarks This method can only be invoked as an argument of an OnReport method defining the response of measuring values.

Please notice that this property is not a static value of the Tool. It depends on the actual circumstances of the actual measurement (probing direction ...).

### 6.3.2.26 GetChangeToolAction(..)

The client uses this method to query the necessary movement to change to the defined tool. This method can be used to get information about what action has to be done and what distance will be moved to get the specified tool.

➤ GetChangeToolAction(“Tool2”)

Parameters Name of the tool to activate.

Data ChangeToolAction(Arg,X(),Y(),Z())

Arg can be :

- Switch
- Rotate
- MoveAuto
- MoveMan.

Errors 1502: Tool Not Found.

Remarks Switch: The change to the new tool can be done without a physical movement of the machine. This means the change can be done by “switching” to another tip or by using another internal property (f.I. set by calibration, force...)

The X(),Y(),Z() describe the distance from the actual tool to the new one in the selected coordinate system. This distance is identical to the offset that may be calculated from data the machine will return executing a "Get(X(), Y(), Z())" command twice with the actual tool and the new tool.

When only an internal property is switched this vector is (0,0,0).

**Rotate:** The change can be done by rotating to another angle combination of the rotating head. The X(),Y(),Z() describe the distance from the actual tool to the new one in the selected coordinate system. This distance is identical to the offset that may be calculated from data the machine will return executing a "Get(X(), Y(), Z())" command twice with the actual tool and the new tool.

**MoveAuto:** The tool can be changed automatically by moving the machine f.I. to a probe changer rack. The X(),Y(),Z() describe the check in position for the probe changing device in the selected coordinate system. Using this information, the client is responsible to generate a path (if necessary by additional GoTos) to a point, from which this check in point is reachable collision free in a single GoTo move. Executing the ChangeTool command, the DME server generates an implicit GoTo to that check in position and is then responsible for the movements during the probe change. This means from the check in point to the destination of the actual tool and to the position of the new probe. After picking up the new tool and moving to the check out position the ChangeTool command is finished. The client has to query for the actual position and to generate the following path.

**MoveMan:** The tool cannot be changed automatically. User interaction is necessary. The X(),Y(),Z() describe the check in position where the manual probe changing should happen in the selected coordinate system. Using this information, the client is responsible to generate a path (if necessary by additional GoTos) to a point, from which the check in position (manual tool changing point) is reachable collision free in a single GoTo move. Executing the ChangeTool command, the DME server generates an implicit GoTo to that check in position and is then responsible for the user dialog of the tool change. After picking up the new tool the ChangeTool command is finished. The client has to query for the actual position and to generate the following path.

### 6.3.3 CartCMM Methods

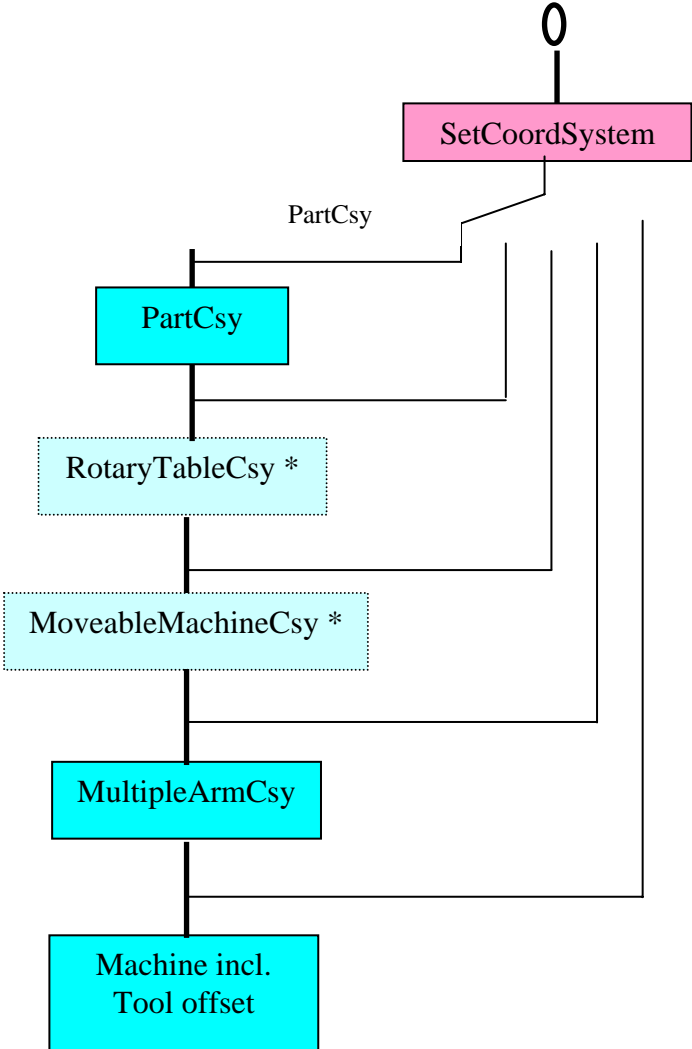
Each CartCMM implements a cartesian machine coordinate system. Based on this coordinate system the following depend on it:

- MachineCsy
- MoveableMachineCsy
- MultipleArmCsy
- PartCsy

The multiple arm transformation is implemented also on bridge type or single arm machines.

\* The RotaryTableCsy (handling rotary table) and the MoveableMachineCsy (handling movable measurement equipment, mechanical or optical) are listed here because of consistency reasons of the transformation chain.

Picture 21: Transformation chain



As example the transformation of a point in machine coordinates (x, y, z) to a point in multiple arm coordinates (x',y',z') is calculated as follows.

$$\begin{pmatrix} x' \\ y' \\ z' \end{pmatrix} = \begin{pmatrix} m11 & m12 & m13 \\ m21 & m22 & m23 \\ m31 & m32 & m33 \end{pmatrix} \begin{pmatrix} x - x0 \\ y - y0 \\ z - z0 \end{pmatrix}$$

In this example  $x_0, y_0, z_0$  and the coefficients  $m11 \dots m33$  are calculated as follows from the arguments of the `SetCsyTransform(MultipleArmCsy, X0, Y0, Z0, Theta, Psi, Phi)`

The meaning of the Euler Angles is as follows (please notice:  $x', y', z'$  different meaning to above!):  
The first Euler angle ( $\vartheta_D$ ) describes the rotation (tilt) around the got  $x'$ -axis

$$\begin{pmatrix} x'' \\ y'' \\ z'' \end{pmatrix} = \begin{pmatrix} 1 & 0 & 0 \\ 0 & \cos \vartheta_D & \sin \vartheta_D \\ 0 & -\sin \vartheta_D & \cos \vartheta_D \end{pmatrix} * \begin{pmatrix} x' \\ y' \\ z' \end{pmatrix} = \underline{R}(\vartheta_D) * \vec{x}'.$$

The second Euler angle ( $\psi_D$ ) describes the rotation around the original z-axis

$$\begin{pmatrix} x' \\ y' \\ z' \end{pmatrix} = \begin{pmatrix} \cos \psi_D & \sin \psi_D & 0 \\ -\sin \psi_D & \cos \psi_D & 0 \\ 0 & 0 & 1 \end{pmatrix} * \begin{pmatrix} x \\ y \\ z \end{pmatrix} = \underline{R}(\psi_D) * \vec{x}.$$

The third Euler Angle ( $\varphi_D$ ) describes the rotation around the got  $z''$ -axis

$$\begin{pmatrix} x''' \\ y''' \\ z''' \end{pmatrix} = \begin{pmatrix} \cos \varphi_D & \sin \varphi_D & 0 \\ -\sin \varphi_D & \cos \varphi_D & 0 \\ 0 & 0 & 1 \end{pmatrix} * \begin{pmatrix} x'' \\ y'' \\ z'' \end{pmatrix} = \underline{R}(\varphi_D) * \vec{x}''.$$

For the transformation is valid

$$\vec{x}''' = \underline{R}(\varphi_D) * [\underline{R}(\vartheta_D) * \underline{R}(\psi_D)] * \vec{x}, \text{ with } : \psi_D \in [0, 2\pi], \vartheta_D \in [0, \pi], \varphi_D \in [0, 2\pi].$$

To create the Euler Angles Theta, Phi, Psi and vice versa the rotation matrix see additional Appendix A.4.2.

### 6.3.3.1 SetCoordSystem(..)

The client uses this method to select the coordinate system it wants to work with.

➤ `SetCoordSystem(..)`

Parameters One of the following:  
MachineCsy  
MoveableMachineCsy  
MultipleArmCsy  
PartCsy.

Data None.

Errors 0509: Bad argument.

Remarks The parameters are considered to be enums and must not be enclosed in double quotes.

### 6.3.3.2 GetCoordSystem()

The client uses this method to query the server which coordinate system is selected.

➤ `GetCoordSystem()`

Parameters    None.  
Data            `CoordSystem(Arg)`.  
                  Arg can be one of the following:  
                  `MachineCsy`  
                  `MoveableMachineCsy`  
                  `MultipleArmCsy`  
                  `PartCsy`.  
Errors          None.

### 6.3.3.3 `GetCsyTransformation(..)`

The client uses this method to get the enumerated coordinate transformation back from the server.

➤ `GetCsyTransformation(Enumerator)`

Parameters    Enumerator: `PartCsy`  
                  `JogDisplayCsy`  
                  `JogMoveCsy`  
                  `SensorCsy`  
                  `MoveableMachineCsy`  
                  `MultipleArmCsy`.  
Data            `GetCsyTransformation(X0, Y0, Z0, Theta, Psi, Phi)`.  
Errors          None.  
Remarks       The definition of the relation between transformation matrix and parameters is given  
                  in the C++ class definition. See Appendix A.4.2.

### 6.3.3.4 `SetCsyTransformation(..)`

The client uses this method to replace the enumerated coordinate transformation.

➤ `SetCsyTransformation(Enumerator, X0,Y0,Z0, Theta, Psi, Phi)`

Parameters    Enumerator: `PartCsy`  
                  `JogDisplayCsy`  
                  `JogMoveCsy`  
                  `SensorCsy`  
                  `MoveableMachineCsy`  
                  `MultipleArmCsy`.

`X0, Y0, Z0` define the zero point of the machine coordinate system in part coordinates. `Theta, Psi` and `Phi` are Euler angles that define the rotation matrix of the transformation.

Data            None.  
Errors          1007: Theta Out Of Range.

Remarks See section 10.4.2. Theta must be in the range of 0..180 degrees. Psi and Phi should be normalized (modulo 360) by the server.

#### **6.3.3.5 X()**

➤ X()

Parameters None.

Data X(x).

Errors 1503: Tool not defined.  
0509: Bad argument.

Remarks This method can only be invoked as an argument of a Get or OnReport method.

#### **6.3.3.6 Y()**

➤ Y()

Parameters None.

Data Y(y).

Errors 1503: Tool not defined.  
0509: Bad argument.

Remarks This method can only be invoked as an argument of a Get or OnReport method.

#### **6.3.3.7 Z()**

➤ Z()

Parameters None.

Data Z(z).

Errors 1503: Tool not defined.  
0509: Bad argument.

Remarks This method can only be invoked as an argument of a Get or OnReport method.

#### **6.3.3.8 IJK()**

➤ IJK()

Parameters None.

Data IJK(i,j,k).

Errors 0508: Bad Context.

Remarks i,j,k define a direction vector in the actual coordinate system. The vector is not necessarily normalized. Its values are tool dependent. If the client normalizes the vector it should point out of the part material.

This method can only be invoked as an argument of OnPtMeasReport() or OnScanReport().

#### **6.3.3.9 X(..)**

➤ X(x)

|            |  |
|------------|--|
| Parameters | target x position.   |
| Data       | None. ...  |
| Errors     | 2500: Machine Limit Encountered<br>2504: Collision<br>0508: Bad Context.   |
| Implicit   | Tool.GoToPar   |
| Remarks    | This method can only be invoked as an argument of a GoTo or PtMeas method. If the server detects a MoveOutOfLimits condition, the machine will not move. |

### 6.3.3.10 Y(..)

➤ Y(y)

|            |  |
|------------|--|
| Parameters | target y position.   |
| Data       | None. ...  |
| Errors     | 2500: Machine Limit Encountered<br>2504: Collision<br>0508: Bad Context.   |
| Implicit   | Tool.GoToPar   |
| Remarks    | This method can only be invoked as an argument of a GoTo or PtMeas method. If the server detects a MoveOutOfLimits condition, the machine will not move. |

### 6.3.3.11 Z(..)

➤ Z(z)

|            |  |
|------------|--|
| Parameters | target z position.   |
| Data       | None. ...  |
| Errors     | 2500: Machine Limit Encountered<br>2504: Collision<br>0508: Bad Context.   |
| Implicit   | Tool.GoToPar   |
| Remarks    | This method can only be invoked as an argument of a GoTo or PtMeas method. If the server detects a MoveOutOfLimits condition, the machine will not move. |

### 6.3.3.12 IJK(..)

➤ IJK(i,j,k)

|            |   |
|------------|---|
| Parameters | i,j,k define the X,Y,Z values of a vector.  |
| Data       | None.   |
| Errors     | 0508: Bad Context.<br>1010: Vector Has No Norm.   |
| Remarks    | i,j,k define a direction vector in the actual DME coordinate system. The vector is not necessarily normalized. Before using the vector, the server must normalize it. This method can only be invoked as an argument of another method. |



### 6.3.3.13 R()

The client uses this method to query the position of the rotary table. Implementation in CartCMMWithRotTbl.

➤ R()

Parameters None.

Data R(r).

Errors 0509: Bad argument.

Remarks This method can only be invoked as an argument of a Get or OnReport method. The setting of the rotary table must be done by AlignPart!

### **6.3.4 ToolChanger Methods**

Each CMM implements one instance of the ToolChanger class to install and change tools. The methods are available, and described here in the DME section, because there is exactly one instance.

### 6.3.5 Tool Methods (Instance of class KTool)

Each CMM implements a class KTool to contain the properties of the tool and the methods to handle them.

#### 6.3.5.1 GoToPar()

This method acts as a pointer to the GoToParameter block of this instance of KTool.

➤ GoToPar()

Parameters None.  
Data pointer.  
Errors None  
Remarks

#### 6.3.5.2 PtMeasPar()

This method acts as a pointer to the PtMeasParameter block of this instance of KTool.

➤ PtMeasPar()

Parameters None.  
Data pointer.  
Errors None  
Remarks

#### 6.3.5.3 ReQualify()

The client uses this method to requalify ActTool.

➤ ReQualify()

Parameters None, ActTool is used.  
Data None.  
Errors Error messages during calibration.  
Remarks

#### 6.3.5.4 ScanPar()

This method acts as a pointer to the ScanParameter block of this instance of KTool.

➤ ScanPar()

Parameters None.  
Data pointer.  
Errors None  
Remarks

### 6.3.6 GoToPar Block

Each parameter block contains information for

- Speed and

- Accel.

Each of these physical values is split in

- Min

- Max

- Act (Actual) and

- Def (Default).

Remarks: Referring a base property without a sub property leads to the sub property .Act. F.I. GetProp(Tool.GoToPar.Speed()) is identical to GetProp(Tool.GoToPar.Speed.Act()).

There is the parameter-block of the active tool accessible via the DME and a parameter-block associated with each tool. The access to the parameter-blocks is described in the object model 5.9 and in the header file of toolchanger.h. The methods to access the values are described in the examples 7.7.

The application cannot change Min, Max and Def.

The application cannot set the actual values outside the range defined by Min and Max values.

If the client gives a command that attempts to set the actual value outside the defined range, the value will be set to the Max if the client's value is above the Max or to the Min if the client's value is below the Min. In this case the warning number 0504 "Argument out of range" must be returned.

The default properties are set via the qualification of the tool and must be within the limits of BaseTool.

The application cannot change Def.

Def is the default value set during tool qualification.

Each time the active tool changes the Act values of the new tool are set to the new tools default values.

This insures that these properties are only modal as long as the tool does not change.

### 6.3.7 PtMeasPar Block

Each parameter block contains information for

- Speed

- Accel

- Approach

- Search

- Retract.

Each of these is of the type parameter (see object model) and has the substructure as follows.

Only the Act values can be set by the client. This is the reason for the direct access possibility.

- Min

- Max

- Act (Actual) and

- Def (Default).

Remarks: Referring a base property without a sub property leads to the sub property .Act. F.I. GetProp(Tool.PtMeasPar.Speed()) is identical to GetProp(Tool.PtMeasPar.Speed.Act()). There is the parameter-block of the active tool accessible via the DME and a parameter-block associated to each tool. The access to the parameter-blocks is described in the object model 5.9 and in the header file of toolchanger.h. The methods to access the values are described in the examples 7.7 and 7.8.

The application cannot set the actual values outside the range defined by Min and Max values. If the client gives a command that attempts to set the actual value outside the defined range, the value will be set to the Max if the client's value is above the Max or to the Min if the client's value is below the Min. In this case the warning number 0504 "Argument out of range" must be returned.

The ABCGoToPar and ABCPtMeasPar are mentioned in the full object model. This is because of symmetry reasons. Because actual rotational heads cannot be controlled in that manner it is not necessary to implement this actually.

The default properties are set via the qualification of the tool and must be within the limits of BaseTool.

The application cannot change Def.

Def is the default value set during tool qualification.

Each time the active tool changes the Act values of the new tool are set to the new tools default values.

This insures that these properties are only modal as long as the tool does not change.

### 6.3.8 A(), B(), C()

The client uses this method to query one or more rotational axis of the ActTool. The reference to the rotational axis can be used single. Implementation in ToolAB or ToolABC.

➤ A()

Parameters None.

Data A().

Errors 1503: Tool Not Defined  
0509: Bad argument.

Remarks This method can only be invoked as an argument of a Get or OnReport method. The usage from the interface is Tool.A()... See examples section 7.

### 6.3.9 A(..), B(..), C(..)

➤ For internal and symmetry reasons. The setting of the rotational axis should be done by AlignTool. Only this handling guarantees compatibility between the implementations!

➤ A(a)

### 6.3.10 Name()

The client uses this method to query the property Name of the actual used Tool or the FoundTool selected by FindTool().

➤ Name()

|            |   |
|------------|---|
| Parameters | None.   |
| Data       | Name(String).   |
| Errors     |   |
| Remarks    | This method can only be invoked as an argument of a GetProp(Tool.Name()) or a GetProp(FoundTool.Name()) method. Returned data can also be “UnDefTool” or NoTool”... |

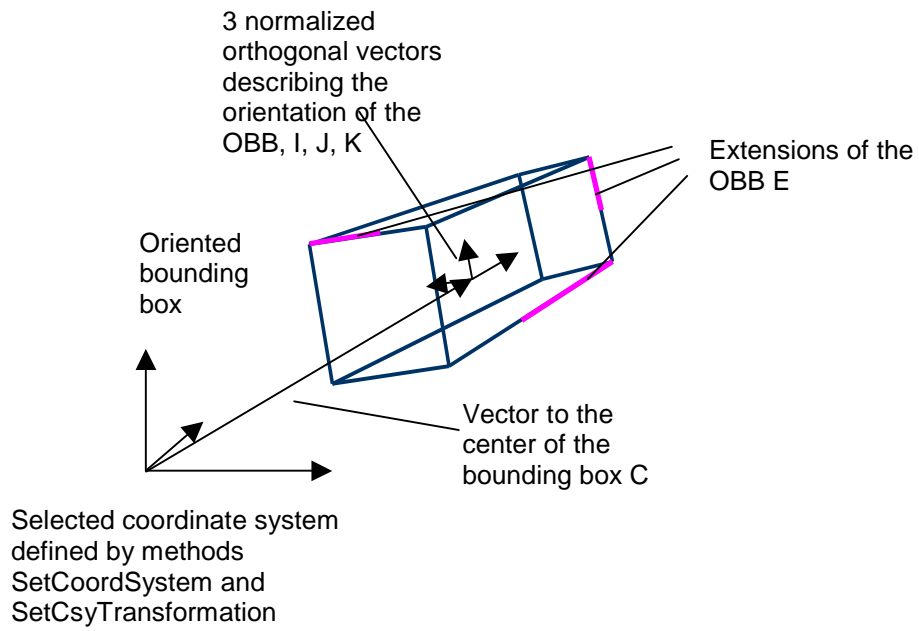
### 6.3.11 CollisionVolume()

The client uses this method to query the collision protection volume of the actual used Tool. The returned volumes contain all possibly collision-causing parts of the tool. These volumes are related to the actual selected tool and the current coordinate system. Using a tactile probe f.I. the relation point is the center of the probing sphere. Using optical probes it is a defined point (center?) of the measuring range... Oriented Bounding Boxes (OBB) are used to contain the collision relevant structures of the tool.

➤ CollisionVolume()

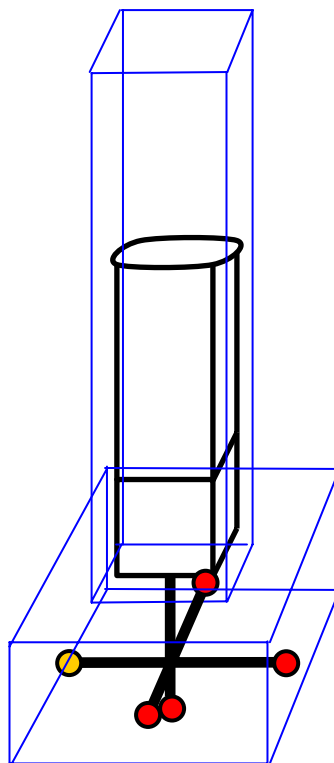
|            |  |
|------------|--|
| Parameters | None.  |
| Data       | CollisionVolume(OBB, Cx1,Cy1,Cz1,Ex1,Ey1,Ez1,Ix1,Iy1,Iz1,<br>Jx1,Jy1,Jz1,Kx1,Ky1,Kz1,<br>....<br>OBB, Cxn,Cyn,Czn,Exn,Eyn,Ezn,Ixn,Iyn,Izn,<br>Jxn,Jyn,Jzn,Kxn,Kyn,Kzn) |
|            | Cx,Cy,Cz is the center point of the OBB, relative to the selected tool   |
|            | Ei,Ej,Ek extension of the OBB in the direction of the following  |
|            | orientation vectors relative to the center   |
|            | Ix,Iy,Iz normalized orientation vector of the box  |
|            | Jx,Jy,Jz normalized orientation vector of the box  |
|            | Kx,Ky,Kz normalized orientation vector of the box  |
| Errors     | 1503: Tool not defined   |
| Remarks    | This method can only be invoked as an argument of a<br>GetProp(Tool.CollisionVolume()) method. Standard definition of an Oriented<br>Bounding Box:                     |

**Picture 22: Definition of an oriented bounding box**



Example

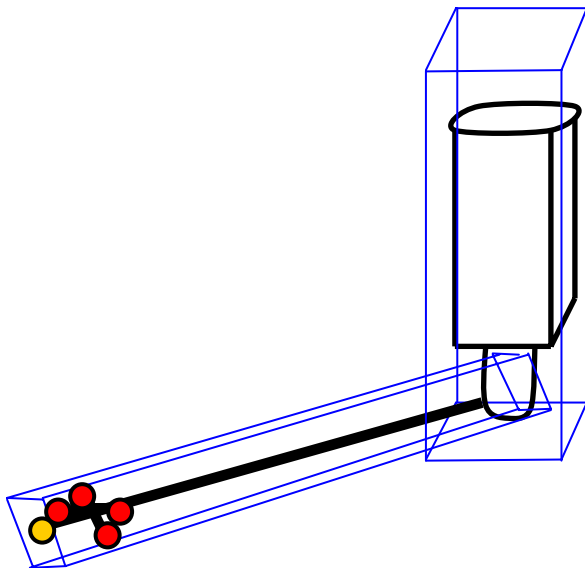
Picture 23: Simple safety zones



| Client to Server                | Server to Client | Comment                            |
|---------------------------------|------------------|------------------------------------|
| 00051<br>GetProp(Tool.Collision |                  | Selected tool is the yellow sphere |

|          |  |   |
|----------|--|---|
| Volume() |  |   |
|          | 00051 &  |   |
|          | 00051 # Tool.CollisionVolume(OBB,<br>120.0000,10.0000,20.0000,<br>90.0000,95.0000,30.0000,<br>1.0000,0.0000,0.0000,<br>0.0000,1.0000,0.0000,<br>0.0000,0.0000,1.0000,<br>OBB,<br>120.0000,10.0000,550.0000,<br>50.0000,50.0000,500.0000<br>1.0000,0.0000,0.0000,<br>0.0000,1.0000,0.0000,<br>0.0000,0.0000,1.0000) | Values ideal!<br>center<br>extension<br>I<br>J<br>K<br><br>center<br>extension<br>I<br>J<br>K |
|          | 00051 %  |   |

Picture 24: Bounding box covering a rotated tool



| Client to Server                             | Server to Client  | Comment   |
|--|---|---|
| 00051<br>GetProp(Tool.Collision<br>Volume()) |   | Selected tool is the<br>yellow sphere               |
|  | 00051 &   |   |
|  | 00051 # Tool.CollisionVolume(OBB,<br>100.0000,30.0000,40.0000,<br>500.0000,15.0000,20.0000,<br>0.8944,0.2683,0.3578,<br>-0.2873,0.9578,0.0000,<br>-0.3427,-0.1027,0.9337,<br>OBB, | Values ideal!<br>center<br>extension<br>I<br>J<br>K |

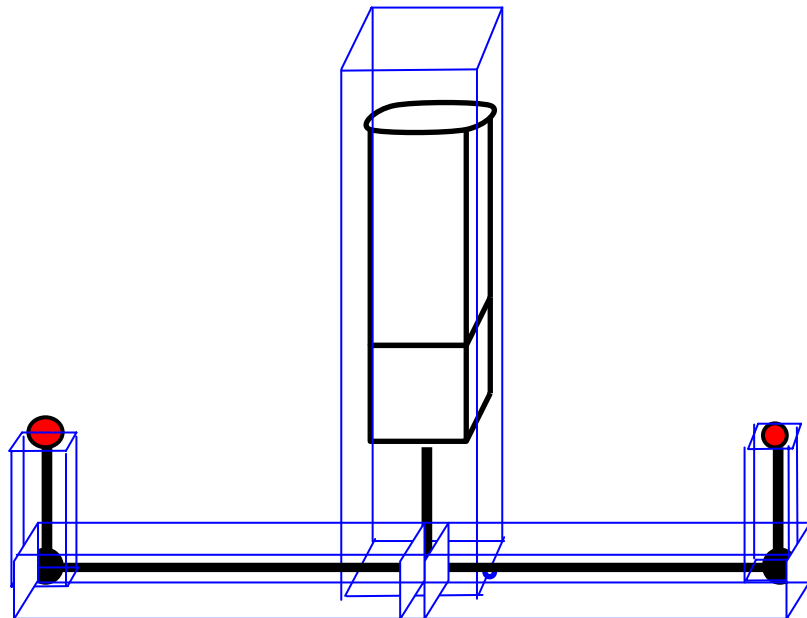


|  |   |                                    |
|--|---|------------------------------------|
|  | 150.0000,10.0000,530.0000,<br>50.0000,50.0000,500.0000<br>1.0000,0.0000,0.0000,<br>0.0000,1.0000,0.0000,<br>0.0000,0.0000,1.0000) | center<br>extension<br>I<br>J<br>K |
|  | 00051 %   |                                    |

Please notice also the following example. It shows:

- It is possible and it can be useful to define one or more bounding boxes for each tip of a tactile probe.
- It can be necessary to use additional information beside the normal calibration data to define proper and sufficient bounding boxes.

**Picture 25: Bounding boxes covering more complex tools**



### 6.3.12 Alignment()

The client uses this method to query the alignment of the actual used Tool. The returned vector(s) describe the actual alignment of the tool in the selected coordinate system. The vectors are defined similar as in AlignTool.

➤ Alignment()

|            |   |
|------------|---|
| Parameters | None.   |
| Data       | Alignment(i1,j1,k1).<br>Alignment(i1,j1,k1,i2,j2,k2)  |
| Errors     | 1503: Tool not defined<br>2000: Tool not calibrated   |
| Remarks    | This method can only be invoked as an argument of a GetProp(Tool.Alignment()) method. Using a tactile probe f.I. the property ToolAlignment returns the shaft direction of the active tool. |

### 6.3.13 AvrRadius()

The client uses this method to query the tool tip average radius.

➤ AvrRadius()

|            |  |
|------------|--|
| Parameters | None.  |
| Data       | AvrRadius(AverageRadius)   |
| Errors     |  |
| Remarks    | This method returns an average tip radius of the active tool, in case of mechanical probes where the tool tip is a sphere or a cylinder.<br>In all other cases the server should return zero.<br>Please note that this radius is normally different from the Effective Tool Radius ER. In case the tool tip is a sphere or cylinder and the tool is qualified using an effective tool radius algorithm, AvrRadius() should return the effective tool radius. In this case all ER() values send by the server would be the same as AvrRadius(). |

### 6.3.14 AlignmentVolume()

The client uses this method to query the collision protection volume of the aligning part of the actual used tool needed while the AlignTool() command is executed. The returned volumes contains all rotating possibly collision-causing parts of the tool. These volumes are related to the actual selected tool and the current coordinate system.

In the actual, simple approach, this volume is a sphere (SPH). The center of the sphere is described in relation to the working point of the actual selected tool in the actual used coordinate system.

Using a tactile probe f.I. this relation point is the center of the probing sphere. Using optical probes it is a defined point (center?) of the measuring range...

➤ AlignmentVolume()

Parameters None.

Data AlignmentVolume(SPH, Cx,Cy,Cz,R)

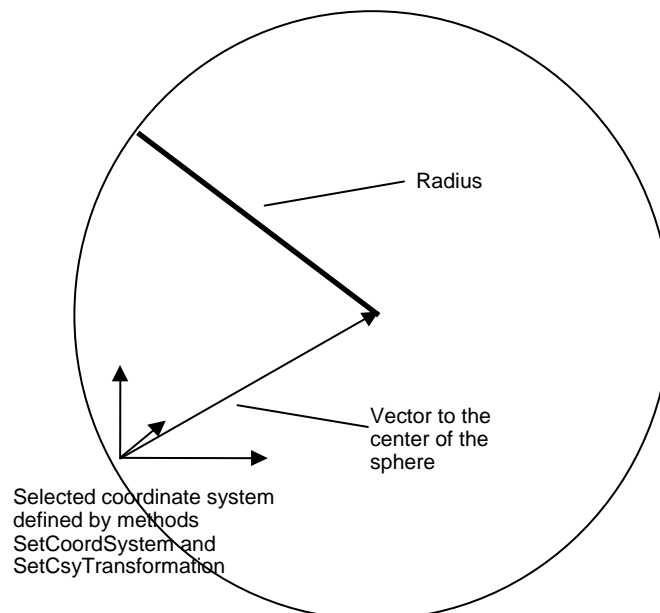
Cx,Cy,Cz is the center point of the Sphere, relative to the selected tool

R is the radius of the sphere containing the rotational part of the tool during alignment

Errors 1503: Tool Not Defined

0509: Bad argument

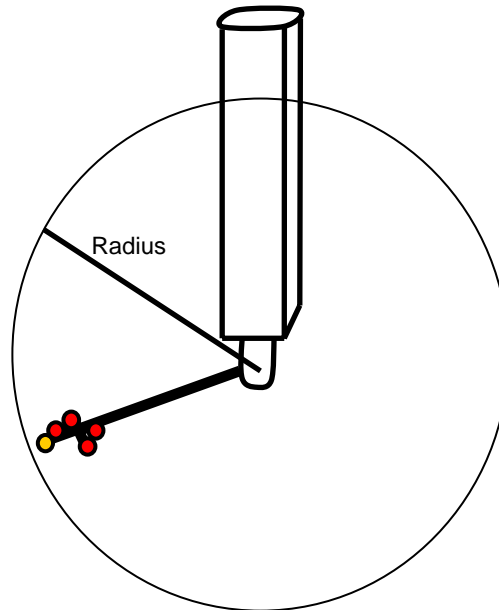
Picture 26: Definition of a Tool.AlignmentVolume sphere



Remarks This method can only be invoked as an argument of a GetProp(Tool.AlignmentVolume()) method. Definition of an AlignmentVolume sphere:

Example

Picture 27: Tool.AlignmentVolume



| Client to Server                             | Server to Client  | Comment  |
|--|---|--|
| 00051<br>GetProp(Tool.Alignme<br>ntVolume()) |   | Selected tool is the<br>yellow sphere                          |
|  | 00051 &   |  |
|  | 00051 # Tool.AlignmentVolume(SPH,<br>100.0000,10.0000,20.0000,<br>110.0000) | Values ideal!<br>Center and radius<br>of sphere<br>Cx,Cy,Cz, R |
|  | 00051 %   |  |

### 6.3.15 ScanPar Block

Each parameter block contains information for

- Speed
- Accel
- Retract.

Each of these is of the type parameter (see object model) and has the substructure as follows. Only the Act values can be set by the client. This is the reason for the direct access possibility.

- Min
- Max
- Act (Actual) and
- Def (Default).

Remarks: Referring a base property without a sub property leads to the sub property .Act. F.I. GetProp(Tool.ScanPar.Speed()) is identical to GetProp(Tool.ScanPar.Speed.Act()).

There is the parameter-block of the active tool accessible via the DME and a parameter-block associated to each tool.

The application cannot set the actual values outside the range defined by Min and Max values. If the client gives a command that attempts to set the actual value outside the defined range, the value will be set to the Max if the client's value is above the Max or to the Min if the client's value is below the Min. In this case the warning number 0504 “Argument out of range” must be returned.

The default properties are set via the qualification of the tool and must be within the limits of BaseTool.

The application cannot change Def.

Def is the default value set during tool qualification.

Each time the active tool changes the Act values of the new tool are set to the new tools default values.

This insures that these properties are only modal as long as the tool does not change.

## 7 Additional Dialog Examples

### 7.1 StartSession

| Client to Server   | Server to Client | Comment  |
|--------------------|------------------|--|
|                    |                  | Server and Client must be booted up previously |
| 00001 StartSession |                  | Client connects to server                      |
|                    | 00001 &          | Server sends acknowledge                       |
|                    | 00001 %          | Server sends transaction complete              |

### 7.2 Move 1 axis

| Client to Server  | Server to Client | Comment  |
|---|------------------|--|
| 00009<br>SetCsyTransformation(PartCsy,<br>10, 20,30, 0, 0, 0) |                  | Set transformation for part coordinate system            |
|   | 00009 &          |  |
|   | 00009 %          |  |
| 00010<br>SetCoordSystem(PartCsy)                              |                  | Select transformation to and from part coordinate system |
|   | 00010 &          |  |
|   | 00010 %          |  |
| 00011 GoTo(X(100))  |                  | Move now in part coordinate system                       |
|   | 00011 &          |  |
|   | 00011 %          |  |

### 7.3 Probe 1 axis

| Client to Server                              | Server to Client                                       | Comment   |
|---|--|---|
| 00014<br>OnPtMeasReport(X(),Y(),Z(),Tool.A()) |  | Client defines format for probing result. Valid for every PtMeas command from now on. |
|   | 00014 &  |   |
|   | 00014 %  |   |
| 00015 PtMeas(X(200))                          |  | Uses standard method in CartCMM   |
|   | 00015 &  |   |
|   | 00015 #<br>X(199.998),Y(250.123),Z(300.002),Tool.A(45) | Probing result from server  |
|   | 00015 %  |   |

#### 7.4 Move more axes in workpiece coordinate system

| Client to Server   | Server to Client | Comment  |
|--|------------------|--|
| 00009<br>SetCsyTransformation(PartCsy,10,<br>20,30, 0, 0, 0)                   |                  | Set transformation for part<br>coordinate system   |
|  | 00009 &          |  |
|  | 00009 %          |  |
| 00010 SetCoordSystem(PartCsy)  |                  | Select transformation to part<br>coordinate system |
|  | 00010 &          |  |
|  | 00010 %          |  |
| 00011 GoTo(X(100),Y(150),Z(200))<br>00011<br>GoTo(X(100),Y(150),Z(200),R(180)) |                  | Move with more axes<br>Alternatively               |
|  | 00011 &          |  |
|  | 00011 %          |  |

#### 7.5 Probe with more axes

| Client to Server  | Server to Client   | Comment  |
|---|--|--|
| 00014<br>OnPtMeasReport(X(),Y(),Z(),To<br>ol.A())   |  | Valid for every PtMeas<br>command  |
|   | 00014 &  |  |
|   | 00014 %  |  |
| 00015<br>PtMeas(X(200),Y(250),Z(300))<br>00015<br>PtMeas(X(200),Y(250),Z(300),I<br>JK(0,0,1))<br>00015<br>PtMeas(X(200),Y(250),Z(300),I<br>JK(0,0,1)) |  | Uses standard method in<br>CartCMM<br>Alternatively, with<br>approaching vector<br><br>Alternatively, with<br>approaching vector and rotary<br>table |
|   | 00015 &  |  |
|   | 00015 #<br>X(199.998),Y(250.123),Z<br>(300.002),Tool.A(45) | Result   |
|   | 00015 %  |  |

#### 7.6 Set property

| Client to Server | Server to Client | Comment |
|------------------|------------------|---------|
|------------------|------------------|---------|

|   |         |                                  |
|---|---------|----------------------------------|
| 00015<br>SetProp(Tool.PtMeasPar.Speed(100)) |         | Set probing speed of active tool |
|   | 00015 & |                                  |
|   | 00015 % |                                  |

## 7.7 Get, read property

All properties that are represented as strings are exchanged using double-quotes, e.g. “This is my probe”

| Client to Server  | Server to Client   | Comment   |
|---|--|---|
| 00014<br>EnumProp(Tool.PtMeasPar())                                 |  | Get ActTool’s PtMeas Property list  |
|   | 00014 &  |   |
|   | 00014 # “Speed”,<br>“Number”   | As a method to have direct access to the actual value, internal call of Speed.Act() |
|   | 00014 # “Accel”,<br>“Number”   |   |
|   | .....  |   |
|   | 00014 # “Approach”,<br>“Number”                                      |   |
|   |  |   |
|   | 00014 # “Speed”,<br>“Property”                                       | As a pointer to the sub structure   |
|   | 00014 # “Accel”,<br>“Property”                                       |   |
|   | .....  |   |
|   | 00014 # “Approach”,<br>“Property”                                    |   |
|   |  |   |
|   | 00014 %  |   |
|   |  |   |
| 00015<br>GetProp(Tool.PtMeasPar.Speed( ), Tool.PtMeasPar.Retract()) |  | Request for getting active probing speed and retract of active tool                 |
|   | 00015 &  |   |
|   | 00015 #<br>Tool.PtMeasPar.Speed(100),<br>Tool.PtMeasPar.Retract(2.0) |   |
|   | 00015 %  |   |



|   |   |                             |
|---|---|-----------------------------|
| 00016 FindTool("Probe1")                          |   | Search pointer to Probe 1   |
|   | 00016 &                                       |                             |
|   | 00016 %                                       |                             |
| 00017<br>GetProp(FoundTool.PtMeasPar.<br>Speed()) |   | Get Probing speed of Probe1 |
|   | 00017 &                                       |                             |
|   | 00017 #<br>FoundTool.PtMeasPar.Sp<br>eed(100) |                             |
|   | 00017 %                                       |                             |

## 7.8 EnumAllProp

| Client to Server                           | Server to Client                 | Comment                               |
|--|----------------------------------|---------------------------------------|
| 00014<br>EnumAllProp(Tool.PtMeasPar()<br>) |                                  | Get ActTool's PtMeas<br>Property list |
|  | 00014 &                          |                                       |
|  | 00014 # "Speed",<br>"Number"     | Internal call of Speed.Act()          |
|  | 00014 # "Accel",<br>"Number"     |                                       |
|  | .....                            |                                       |
|  | 00014 # "Approach",<br>"Number"  |                                       |
|  | 00014 # "Speed.Max",<br>"Number" | First branch of sub tree              |
|  | 00014 # "Speed.Min",<br>"Number" |                                       |
|  | 00014 # "Speed.Act",<br>"Number" |                                       |
|  | 00014 # "Speed.Def",<br>"Number" |                                       |
|  | .....                            |                                       |
|  |                                  |                                       |
|  |                                  |                                       |
|  | 00014 %                          |                                       |
|  |                                  |                                       |
|  |                                  |                                       |

## 8 Error Handling

- Each transaction can generate multiple error messages.
- These messages are headed by the same tag number.

### 8.1 Classification of Errors

F1 ::= (see 6.1.4.2)

F2 ::= (see 6.1.4.2)

F3 ::= (see 6.1.4.2)

Text ::= (see 6.1.4.2)

ErrorResponse ::= (see 6.1.4.2)

Tag ! Error(F1, F2, F3, Text)

F1: Default error severity classification

0: Info

1: Warning, level 0 and 1 doesn't interfere with pending commands

2: Error, client should be able to repair the error

3: Error, user interaction necessary

9: Fatal server error

Only errors with classification higher or equal 2 require ClearAllErrors().

F2: Error numbers,           0000-4999 defined by I++ DME  
                              5000-5999 reserved for optical systems (OSIS)  
                              5000-7999 reserved  
                              8000-8999 definable from server  
                              9000-9999 definable from client

F3: I++ recommends to serve here the name of the error causing method. This means the name of the function in the server implementation that reported the error. This method name doesn't contain spaces or special characters. So there is no need for putting "".

Text: The text string must be the text string shown in section 8.2 for the error number given in the F2 field.

Remarks: The error "Text" is defined and must be generated by the server. The error severity classification can be adapted from the server according the actual use case or the implementation.

### 8.2 List of I++ predefined errors

Classification in Field F2

0000-0499 Protocol, syntax error

0500-0999 Error generated during execution in DME (see object model)  
 1000-1499 Error generated during execution in CartCMM... (see object model)  
 1500-1999 Error generated during execution in ToolChanger (see object model)  
 2000-2499 Error generated during execution in Tool... (see object model)  
 2500-2999 Error generated during execution in Axis (see object model)

Defined errors:

| Default severity class | Error No. | Text   |
|------------------------|-----------|--|
| 0                      | 0000      | Buffer full  |
| 2                      | 0001      | Illegal tag  |
| 2                      | 0002      | No space at pos. 6                                   |
| 2                      | 0003      | Reserved   |
| 2                      | 0004      | Reserved   |
| 2                      | 0005      | Reserved   |
| 2                      | 0006      | Transaction aborted (Use ClearAllErrors To Continue) |
| 3                      | 0007      | Illegal character                                    |
| 3                      | 0008      | Protocol error                                       |
| 3                      | 0500      | Emergency stop                                       |
| 3                      | 0501      | Unsupported command                                  |
| 3                      | 0502      | Incorrect arguments                                  |
| 9                      | 0503      | Controller communications failure                    |
| 1                      | 0504      | Argument out of range                                |
| 3                      | 0505      | Argument not recognized                              |
| 3                      | 0506      | Argument not supported                               |
| 3                      | 0507      | Illegal command                                      |
| 3                      | 0508      | Bad context  |
| 3                      | 0509      | Bad argument   |
| 3                      | 0510      | Bad property   |
| 3                      | 0511      | Error processing method                              |
| 1                      | 0512      | No daemons are active                                |
| 2                      | 0513      | Daemon does not exist                                |
| 2                      | 0514      | Use ClearAllErrors to continue                       |
| 2                      | 0515      | Daemon already exists                                |
| 3                      | 1000      | Machine in error state                               |
| 2                      | 1001      | Illegal touch  |
| 9                      | 1002      | Axis does not exist                                  |
| 2                      | 1003      | No touch   |
| 9                      | 1004      | Number of angles not supported on current device     |
| 3                      | 1005      | Error during home                                    |
| 2                      | 1006      | Surface not found                                    |
| 3                      | 1007      | Theta out of range                                   |
| 3                      | 1008      | Target position out of machine volume                |
| 3                      | 1009      | Air pressure out of range                            |
| 2                      | 1010      | Vector has no norm                                   |
| 2                      | 1011      | Unable to move                                       |
| 2                      | 1012      | Bad lock combinations                                |
| 3                      | 1500      | Failed to re-seat head                               |
| 3                      | 1501      | Probe not armed                                      |
| 3                      | 1502      | Tool not found                                       |
| 3                      | 1503      | Tool not defined                                     |
| 3                      | 2000      | Tool not calibrated                                  |
| 2                      | 2001      | Head error excessive force                           |
| 3                      | 2002      | Type of probe does not allow this operation          |
| 3                      | 2500      | Machine limit encountered [Move Out Of Limits]       |
| 3                      | 2501      | Axis not active                                      |
| 3                      | 2502      | Axis position error                                  |

|   |      |                              |
|---|------|------------------------------|
| 9 | 2503 | Scale read head failure      |
| 3 | 2504 | Collision                    |
| 2 | 2505 | Specified angle out of range |
| 2 | 2506 | Part not aligned             |

## **9 Miscellaneous Information**

### **9.1 Coordination of company related extensions**

To allow coordinated development of the different companies, based on the common functionality covered by the actual specification, specific name spaces are reserved. Company specific extensions can be applied to public methods and properties of the server by the following mechanism:

Commands in Class DME beginning with

BS. Are Brown&Sharpe proprietary

CZ. Are Carl Zeiss proprietary

WP. Are Wenzel Präzision proprietary

MI. Are Mitutoyo proprietary

RW. Are Renishaw proprietary

MW. Are Messtechnik Wetzlar proprietary

XX. Are company short terms...

Functionality in these extensions having a common interest will be standardized in an upcoming release, which specifically addresses this functionality. Target is approx. one year after a successful implementation.

The handling of properties is done in the same way

SetProp(XX....)

GetProp(XX....) is XX company proprietary.

Additional short terms can be requested from the I++ DME team.

### **9.2 Initialization of TCP/IP protocol-stack**

After CMM power up the server will create the application port in listen mode.

When the client is started, it will send a connection request to the application port created by the server. The server will confirm the connection and is now ready to work with the client.

### **9.3 Closing TCP/IP connection**

When the client no longer needs the server it will close the connection.

The driver will then listen on the application port for new incoming connection requests.

### **9.4 EndSession and StartSession**

After re-starting a session all previous defined properties are valid again.

### **9.5 Pre-defined Server events**

The following server events are predefined. Please note that all these events are transmitted with tag number E0000 to the client.

### 9.5.1 KeyPress

Data           KeyPress(“NameOfKey”)

Remarks       The server sends this event, if the user is enabled and when the user has pushed button on the jog box.

### 9.5.2 Clearance or intermediate point set

Data           GoTo(...)

Remarks       The server sends this event, if the user is enabled and when the user has pushed the “Clearance Point” button on the jog box.  
The GoTo format is defined by OnPtMeasReport(). If vectors are defined they have to be set to IJK(0,0,0)

### 9.5.3 Pick manual point

Data           PtMeas(...)

Remarks       The server sends this event, if the user is enabled and when the user manually picked a point.  
The PtMeas format is defined by OnPtMeasReport().

### 9.5.4 Change Tool request

Data           ChangeTool(“ToolName”)

Remarks       The server sends this event as an information to the client indicating that the server has changed the tool not initiated by a command from the client. This can happen f.i. by pressing a key on the jog box.

### 9.5.5 Set property request

Data           SetProp(..)

Remarks       The server sends this event as an information to the client indicating that the server has changed a property not initiated by a command from the client. This can happen f.i. by pressing a key on the jog box.

### 9.5.6 Additional defined keys

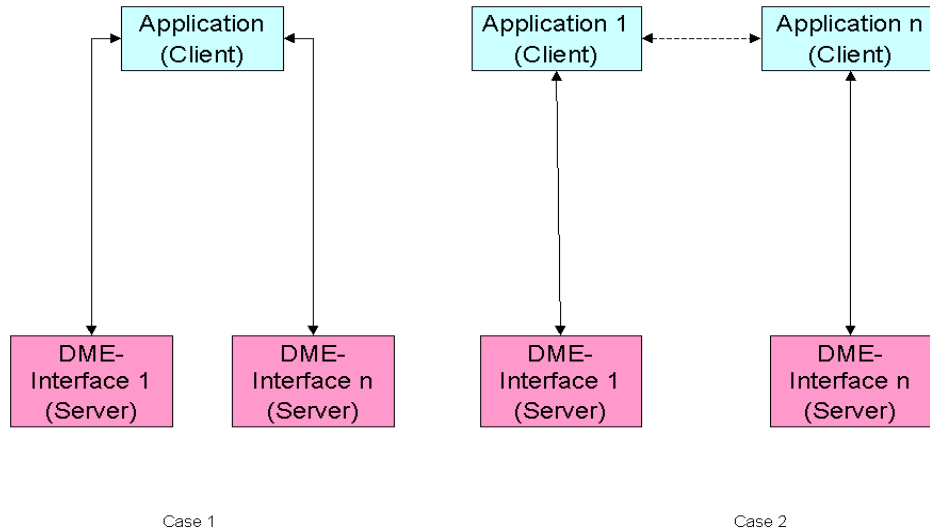
The following NameOfKeys are additional defined:  
“Done” // signals an operation should be finished  
“Del” // delete a function call or a measured point...  
“F1” ... “Fn” // key code of soft keys. The client defines the meaning  
of this keys.

## **9.6 Reading part temperature**

In the appended c++ header files, the temperature is a property of the class part. This is actual not public, but will become in further revisions. The access will be by  
GetProp(Part.Temperature)

## 10 Multiple arm support

Picture 28: Multiple arm equipment



- For each column a single I++ DME interface is required.
- The disposition of a feature to be measured on a specific column, the synchronization of the columns (including collision detection between the columns) and the combination of the results is part of the application task.
- The vendor of the multiple arm system has to provide an application to build the coupling transformation. This can be a stand-alone application or an integrated part of the DME interface.
- The following commands are used to set and get these transformations  
`SetCsyTransformation(MultipleArmCsy,.....)`, `GetCsyTransformation(MultipleArmCsy)`

A coupling tool is used to define the multiple arm coordinate system for each column. The coupling tool may be a special tool or the application itself.

The coupling tool measures an artifact to calculate the MultipleArmCsy. The sequence of the measurement is as follows.

- The coupling tool measures the artifact using column 1.
- The coupling tool measures the artifact using column 2.
- The coupling tool calculates the 2 transformations used for column 1 and 2.
- The coupling tool sends the transformation for column 1 using a `SetCsyTransformation(MultipleArmCsy,.....)` command to DME of column 1.
- The coupling tool sends the transformation for column 2 using a `SetCsyTransformation(MultipleArmCsy,.....)` command to DME of column 2.



# 11 Scanning

## 11.1 Preliminaries

### 11.1.1 Hints:

Hints are used to communicate properties of the part to the DME.

The only use for Hints is to optimize the execution of a measuring process.

Hints are not mandatory; the DME must be able to execute without the interpretation of a given hint.

The definition of the scanning commands is independent of the type of sensor, F.E. tactile, measuring. Tactile sensors may emulate the functionality of measuring sensors. The algorithm is not part of the spec.

### 11.1.2 OnScanReport(..)

Defines the format (sequence) and properties reported while scanning.

#### ➤ OnScanReport(..)

|            |   |
|------------|---|
| Parameters | Note: This are only parameters of OnScanReport and not global server properties as X(), Y()...<br>See parameters used at command Get() , section 6.3.2.11.<br>Enumeration of properties reported for a scan. In addition to the arguments allowed at “Get(..)” command, also IJK(), Q() and ER() are possible. Please notice that this property is not a static value of the Tool. It depends on the actual circumstances of the actual measurement (probing direction ...).  |
| Data       |   |
| Errors     | Bad property.   |
| Remarks    | Besides properties like X(), Y(), Z() the scan can report a Q() property that defines a “quality” for a scan point returned to the client by the DME.<br>The Q() property is a numeric value between 0 and 100 indicating the “quality” of the measured point. A value of 0 defines a “good” point. Depending on the tool used to scan, values from 1 to 100 indicate a lower quality and reliability of the points. A value of 100 marks bad points.<br>If points are out of the tool’s measuring range, the DME may decide to flag them as “bad points” or stop the scan with an error.<br>To increase system performance, already measured data may be transmitted from the server to the client while the execution of the scanning command is still in progress.<br>To increase performance, the names of the values and the () are not defined in the answer strings of scanning.<br>To prevent overhead (TCP/IP and other...) in returning each measuring value as an own string, the scanning results can be blocked. Multiple measuring results can be returned in one string. The number of values in a return string must be multiple of the definition done by OnScanReport. See example in 11.4.<br>If no OnScanReport() is set in the current session the server has to use the default (see StartSession). |

## 11.2 Scanning known contour

### 11.2.1 ScanOnCircleHint(..)

The ScanOnCircleHint command defines expected deviations of the measured circle from the nominal circle. The displacement and the form can be used by the DME to optimize the execution of the ScanOnCircle command.

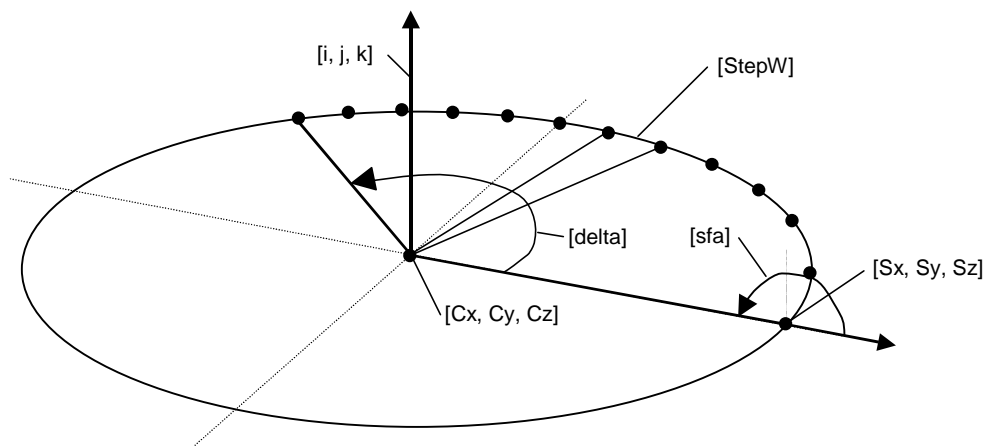
#### ➤ ScanOnCircleHint (Displacement, Form)

**Parameters** Displacement defines the maximum expected distance between the nominal circle center and the actual circle center.  
 Form defines the maximum expected form deviation calculated by Gauss of the circle. The form is defined by the radial distance of the innermost and outermost point related to the calculated circle.  
 Using the above and other information (f.I. radius, point distance...) the server can and must reduce the scanning speed to guarantee measurement accuracy if necessary.

### 11.2.2 ScanOnCircle(..)

#### ➤ ScanOnCircle(Cx, Cy, Cz, Sx, Sy, Sz, i, j, k, delta, sfa, StepW)

**Parameters** Cx, Cy, Cz is the nominal center point of the circle  
 Sx, Sy, Sz is a point on the circle radius where the scan starts  
 i,j,k is the normal vector of the circle plane  
 delta is the angle to scan  
 sfa is the surface angle of the circle.  
 StepW average angular distance between 2 measured points in degrees.



**Data** As defined by OnScanReport

**Errors**

**Remarks** The distance between the center point (Cx,Cy,Cz) and the start point (Sx,Sy,Sz) may not be zero. The distance is the nominal radius of the circle to scan.

The plane vector (i,j,k) must be orthogonal to the vector from the center point to the start point (start direction).

The angle delta may be positive or negative and defines the arc to scan. A positive delta means counter clockwise, a negative clockwise (see picture).

Assume (i,j,k) to be the z-direction of a coordinate system and the start direction the x-direction. The reference for delta is the x-direction and the angle delta is defined in the xy plane.

The surface angle is the angle between the x-direction and the material direction in the xz plane. The surface angle is 0 for an outside circle and 180 for an inside circle. Using a surface angle enables to execute a circular path scan on cylinders (sfa=0 or sfa=180), on planes (sfa=90 or sfa=270) and cones. In the context of this command cylinders and planes are specialized cones.

The scan is executed as follows:

The DME will implicitly execute a PtMeas command using (Sx,Sy,Sz) as point and vector derived from the surface normal in the start point. The DME will use all PtMeasPars but with Retract set to 0.

The actual scan radius is calculated from the circle center point (Cx, Cy, Cz) and the result point of the PtMeas command. The DME will scan on a circle defined by (Cx,Cy,Cz) and the actual scan radius.

The DME will scan the arc defined by delta.

During the scan the probe will move in the cone shell defined by the PtMeas result point and the probing direction rotated around an axis defined by (Cx,Cy,Cz,i,j,k).

The DME will return approximately delta/StepW points to the client using the format defined by OnScanReport.

The scanning speed and the retract after end of scanning are defined by Tool.ScanPar.

### 11.2.3 ScanOnLineHint(..)

The ScanOnLineHint command defines expected deviations of the measured line from the nominal line. The angle and the form can be used by the DME to optimize the execution of the ScanOnLine command.

#### ➤ ScanOnLineHint (Angle, Form)

Parameters    Angle defines the maximum expected angle between the nominal line and the actual line.  
                  Form defines the maximum expected deviation form of the Gauss calculated line.

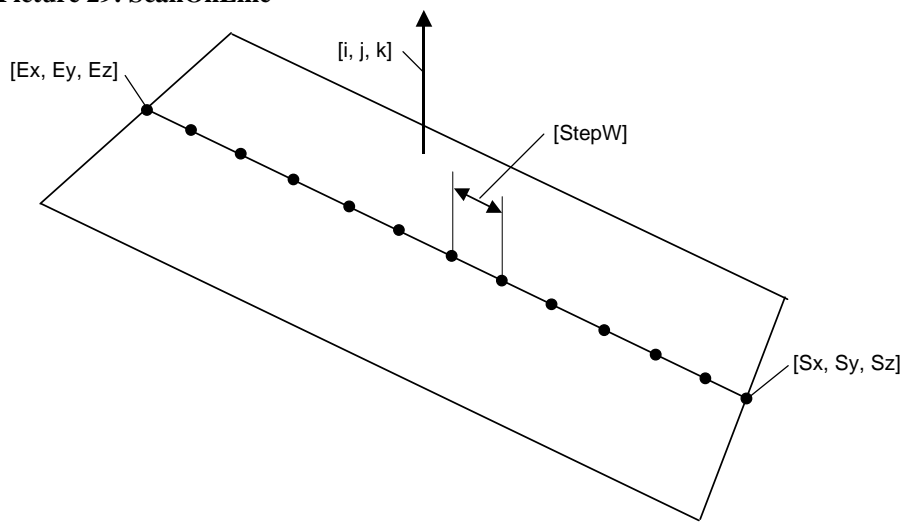
Remarks Using the above and other information (f.I. point distance...) the server can and must reduce the scanning speed to guarantee measurement accuracy if necessary.

### 11.2.4 ScanOnLine(..)

➤ ScanOnLine(Sx,Sy,Sz,Ex,Ey,Ez,i,j,k,StepW)

|            |            |   |
|------------|------------|---|
| Parameters | Sx, Sy, Sz | defines the line start point                      |
|            | Ex, Ey, Ez | defines the line end point                        |
|            | i,j,k      | is the surface normal vector on the line          |
|            | StepW      | average distance between 2 measured points in mm. |

Picture 29: ScanOnLine



Data As defined by OnScanReport

Errors

Remarks The distance between the start point (Sx,Sy,Sz) and the end point (Ex,Ey,Ez) may not be zero. This is the distance to scan.

The surface vector (i,j,k) must be orthogonal to the vector from the start point to the end point.

The scan is executed as follows:

The DME will implicitly execute a PtMeas command using (Sx,Sy,Sz) as point and (i,j,k) as surface normal. The DME will use all PtMeasPars but with Retract set to 0.

The actual start point for the scan is the result point of the PtMeas command.

The DME will scan along the contour between start and end point. The scan terminates if the distance between a measured point and the actual start point is greater than the distance between (Sx,Sy,Sz) and (Ex,Ey,Ez),

During the scan the probe will move in a plane defined by (Sx,Sy,Sz) and the vector of the cross product between (i,j,k) and the direction from start to end point.

The DME will return approximately (distance start/end)/StepW points to the client using the format defined by OnScanReport.

The scanning speed and the retract after end of scanning are defined by Tool.ScanPar.

### 11.2.5 ScanOnCurveHint(..)

The ScanOnCurveHint command defines expected deviations of the measured curve from the nominal curve. The deviation can be used by the DME to optimize or cancel the execution of the ScanOnCurve command.

➤ ScanOnCurveHint (Deviation, MinRadiusOfCurvature)

Parameters Deviation defines the maximum expected bias of measured data from the nominal data in the direction of the nominal direction vector.  
Prognostic minimum radius in the curve to measure. Only values greater zero are allowed.

Remarks Using the above and other information (f.I. point distance...) the server can and must reduce the scanning speed to guarantee measurement accuracy if necessary.

### 11.2.6 ScanOnCurveDensity(..)

The ScanOnCurveDensity command defines density of the points returned from the server to the client when ScanOnCurve is executed.

➤ ScanOnCurveDensity (Dis(),Angle(),AtNominals())

Parameters Dis() Maximum distance of 2 points returned  
Angle() Maximum angle between the 2 segments between the last 3 points  
AtNominals() Boolean 0 or 1. If 1 the arguments Dis and Angle are ignored

Data

Errors

Remarks If these values are not set by the client the server will use default values. They will depend on the server implementation.

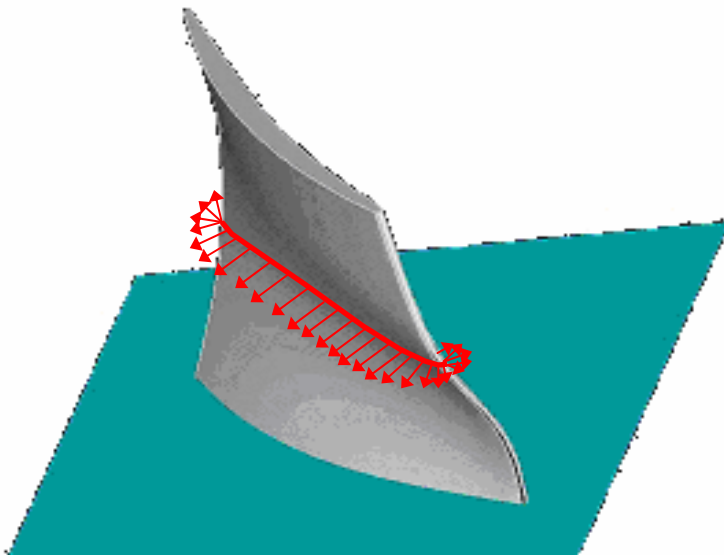
### 11.2.7 ScanOnCurve(..)

➤ ScanOnCurve(Closed(), Format(X(),Y(),Z(),IJK(),tag[,pi,pj,pk[,si,sj,sk]]),  
Data(P1x,P1y,P1z,i1,j1,k1,tag1[,pi1,pj1,pk1[,si1,sj1,sk1]]  
...  
,Pnx,Pny,Pnz,in,jn,jn,tagn[,pin,pjn,pkn[,sin,sjn,skn]]))

Parameters Closed() Boolean 0 or 1. 1 means contour is closed  
Format Defines the structure of data set send to server  
X(),Y(),Z() Format definition for nominal point coordinates

**IJK()** Format definition for nominal point direction  
**[pi,pj,pk]** Optional format definition for nominal primary tool direction (see AlignTool)  
**[si,sj,sk]** Optional format definition for nominal secondary tool direction (see AlignTool)  
**Pnx, Pny, Pnz** defines the nth surface point of the scanning path  
**in, jn, kn** defines the nominal surface vector of the nth point  
**tagn** Integer defining if the nth nominal point is assumed to be on the part surface (+1) or without contact to the surface (-1). For this spec version the values are fixed to +1 or -1.  
**[pin,pjn,pkn]** Optional data for nominal primary tool direction (see AlignTool)  
**[sin,sjn,skn]** Optional data for nominal secondary tool direction (see AlignTool)

**Picture 30: ScanOnCurve**



**Data** As defined by OnScanReport and ScanOnCurveDensity  
**Errors** 2002, Type of probe does not allow this operation  
**Remarks** If primary and secondary directions are specified they work as an implicit align tool per point

### 11.2.8 ScanOnCurve Example

| Client to Server                         | Server to Client | Comment  |
|--|------------------|--|
| 00014<br>OnScanReport(X(),Y(),Z(),IJK()) |                  | Client defines format for scanning result. Valid for |

|  |   |   |
|--|---|---|
| ,Q()   |   | every scanning command from now on.   |
|  | 00014 &   |   |
|  | 00014 %   |   |
| 00015<br>ScanOnCurveHint(0.01,0.5)   |   | Arguments are:<br>ScanOnCurveHint (Deviation,<br>MinRadiusOfCurvature)  |
|  | 00015 &   |   |
|  | 00015 %   |   |
| 00016 ScanOnCurveDensity<br>(Dis(1.0),Angle(10),AtNominals<br>(0))   |   | Arguments are:<br>ScanOnCurveDensity<br>(Dis(),Angle(),AtNominals())  |
|  | 00016 &   |   |
|  | 00016 %   |   |
| 00017 ScanOnCurve(Closed(0),<br>Format(X(),Y(),Z(),IJK(),tag,pi,<br>pj,pk),Data(10.0,0.0,0.0,0.0,1,0,<br>0,0,1,<br>...<br>22.0,0.0,0.0,0.0,1,0,0,1)) |   | Arguments are:<br>ScanOnCurve(Closed(),<br>Format(X(), Y(),Z(),IJK(),tag[,<br>pi,pj,pk[,si,sj,sk]]),<br>Data(P1x,P1y,P1z,i1,j1,k1,tag<br>1[,pi1,pj1,pk1[,si1,sj1,sk1]]<br>...<br>,Pnx,Pny,Pnz,in,jn,jn,tagn[,pin<br>,pjn,pkn[,sin,sjn,skn]])) |
|  | 00017 &   |   |
|  | 00017 #<br>10.0,0.0,1.5,0.001,<br>0.002,0.999,0.01                        | Scanning result from server,<br>one point, assuming probe<br>sphere radius is 1.5mm   |
|  | 00017 #<br>11.0,0.0,1.5,0.001,<br>0.002,0.999,0.01,12.02,0.<br>0,1.501,.. | Multiple scanning results<br>points blocked in one result<br>string   |
|  | ....  | Follow multiple times until all<br>scanning results are<br>transmitted  |
|  | 00017 %   | Scanning ready  |
|  | ...   |   |

## 11.3 Scan unknown contour

### 11.3.1 ScanUnknownHint(..)

The ScanUnknownHint command defines expected minimum radius of curvature in the unknown contour.

➤ ScanUnknownHint (MinRadiusOfCurvature)

Parameters Prognostic minimum radius in the curve to measure. Only values greater zero are allowed.

#### 11.3.1.1 ScanUnknownDensity(..)

The ScanUnknownDensity command defines density of the points returned from the server to the client when ScanUnknown commands are executed.

➤ ScanUnknownDensity (Dis(),Angle())

Parameters Dis() Maximum distance of 2 points returned  
Angle() Maximum angle between the 2 segments between the last 3 points

Data

Errors

Remarks Please notice: If StepW in the ScanUnknown command is set greater than 0, this value is used. If the value there is 0 the values defined by the command ScanUnknownDensity are used!

### 11.3.2 ScanInPlaneEndIsSphere(..)

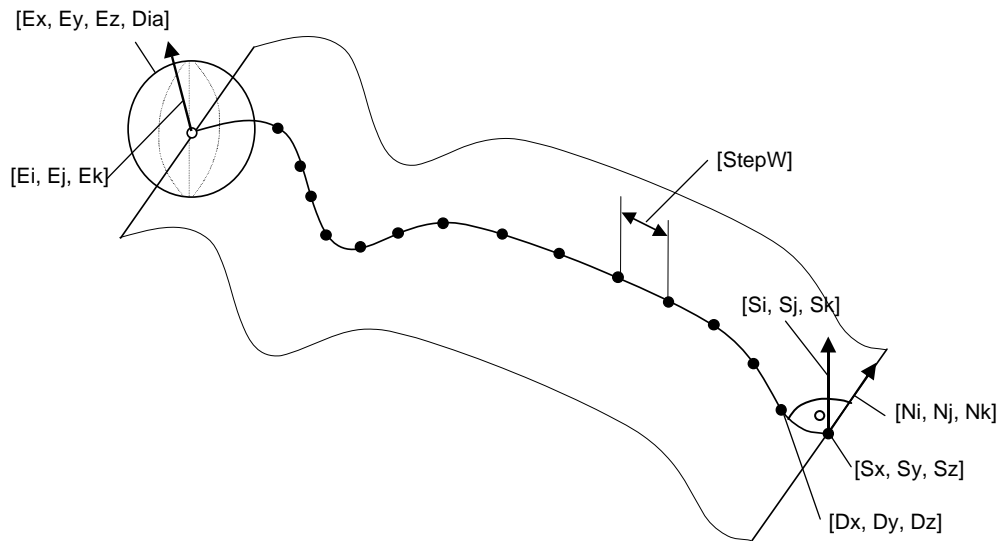
The ScanInPlaneEndIsSphere allows to scan an unknown contour. The scan will stop if the sphere stop criterion is matched.

➤ ScanInPlaneEndIsSphere(Sx,Sy,Sz,Si,Sj,Sk,Ni,Nj,Nk,Dx,Dy,Dz,StepW,  
Ex,Ey,Ez,Dia,n,Ei,Ej,Ek)

Parameters Sx, Sy, Sz defines the scan start point  
Si, Sj, Sk defines the surface direction in the start point  
Ni, Nj, Nk defines the normal vector of the scanning plane  
Dx, Dy, Dz defines the scan direction point  
StepW is the average distance between 2 measured points  
Ex, Ey, Ez, defines the expected scan end point  
Dia define a sphere around the end point where the scan stops  
n Number of reaching the stop sphere  
Ei, Ej, Ek defines the surface direction at the end point. It defines the direction for retracting

**Picture 31: ScanInPlaneEndIsSphere**





Data As defined by OnScanReport

Errors

Remarks The scan is executed as follows:

The DME will implicitly execute a PtMeas command using  $(S_x, S_y, S_z)$  as point and  $(S_i, S_j, S_k)$  as surface normal. The DME will use all PtMeasPars but with Retract set to 0.

During the scan the tool center will move within the scanning plane.

The scanning plane is defined by its normal vector  $(N_i, N_j, N_k)$  and the tool center reached by the probing of the scanning start point  $(S_i, S_j, S_k)$ .

The DME will start to scan in the scanning plane using the helping information of the direction point.

The DME will stop scanning after nth entering of the stop sphere when the distance between a scanned point and the sphere center has a local minimum.

If the start point is within the stop sphere, the DME will first leave the sphere and then start to check the stop criterion.

The distance between the start point  $(S_x, S_y, S_z)$  and the direction point  $(D_x, D_y, D_z)$  may not be zero.

The scanning speed and the retract after end of scanning are defined by Tool.ScanPar.

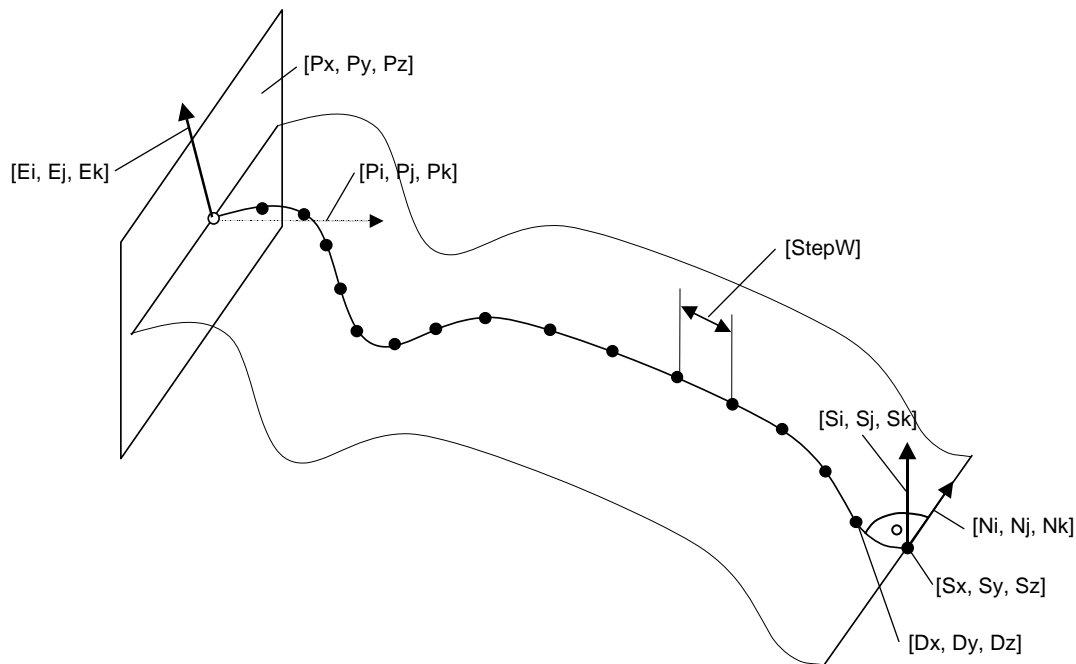
### 11.3.3 ScanInPlaneEndIsPlane(..)

The ScanInPlaneEndIsPlane allows to scan an unknown contour. The scan will stop if the plane stop criterion is matched.

➤ ScanInPlaneEndIsPlane( $S_x, S_y, S_z, S_i, S_j, S_k, N_i, N_j, N_k, D_x, D_y, D_z, StepW,$   
 $P_x, P_y, P_z, P_i, P_j, P_k, n, E_i, E_j, E_k$ )

|            |                  |   |
|------------|------------------|---|
| Parameters | $S_x, S_y, S_z$  | defines the scan start point  |
|            | $S_i, S_j, S_k$  | defines the surface direction in the start point  |
|            | $N_i, N_j, N_k$  | defines the normal vector of the scanning plane   |
|            | $D_x, D_y, D_z$  | defines the scan direction point  |
|            | StepW            | is the average distance between 2 measured points                                       |
|            | $P_x, P_y, P_z,$ |   |
|            | $P_i, P_j, P_k$  | Define a plane where the scan stops   |
|            | n                | Number of through the plane   |
|            | $E_i, E_j, E_k$  | defines the surface direction at the end point. It defines the direction for retracting |

**Picture 32: ScanInPlaneEndIsPlane**



Data As defined by OnScanReport

Errors

Remarks The scan is executed as follows:

The DME will implicitly execute a PtMeas command using  $(S_x, S_y, S_z)$  as point and  $(S_i, S_j, S_k)$  as surface normal. The DME will use all PtMeasPars but with Retract set to 0.

During the scan the tool center will move within the scanning plane.

The scanning plane is defined by its normal vector  $(N_i, N_j, N_k)$  and the tool center reached by the probing of the scanning start point  $(S_i, S_j, S_k)$ .

The DME will start to scan in the scanning plane using the helping information of the direction point.

The DME will stop scanning when it passes n times through the stop plane.

The DME will start to check the stop criteria when it has moved a distance that is larger than the distance between start and direction point.

The distance between the start point (Sx,Sy,Sz) and the direction point (Dx,Dy,Dz) may not be zero.

The scanning speed and the retract after end of scanning are defined by Tool.ScanPar.

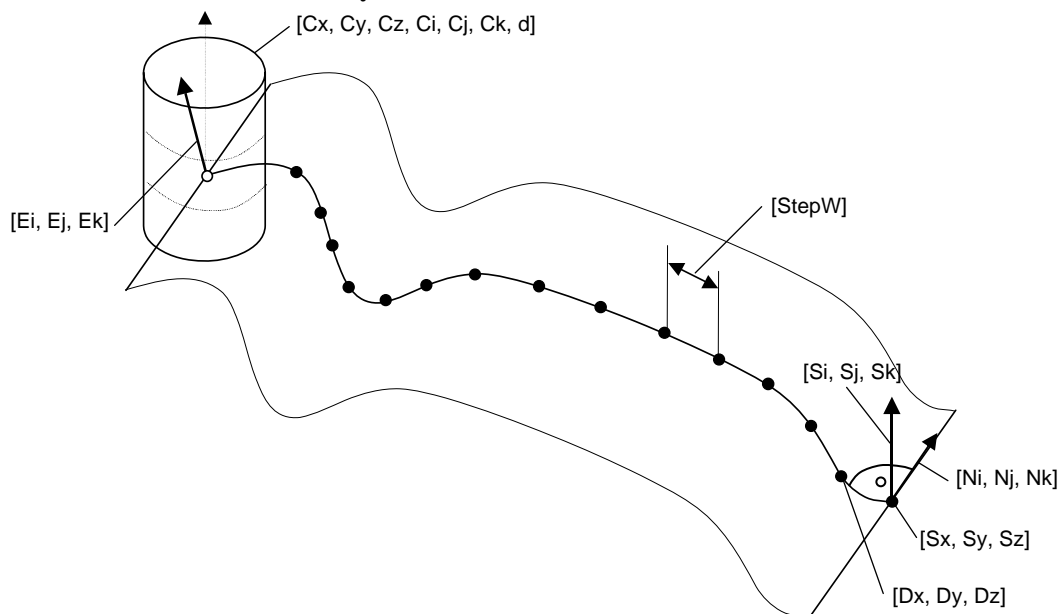
### 11.3.4 ScanInPlaneEndIsCyl(..)

The ScanInPlaneEndIsCyl allows to scan an unknown contour. The scan will stop if the cylinder stop criterion is matched.

- ScanInPlaneEndIsCyl(Sx,Sy,Sz,Si,Sj,Sk,Ni,Nj,Nk,Dx,Dy,Dz,StepW,
- Cx,Cy,Cz,Ci,Cj,Ck,d,n,Ei,Ej,Ek)
- 

|            |             |  |
|------------|-------------|--|
| Parameters | Sx, Sy, Sz  | defines the scan start point   |
|            | Si, Sj, Sk  | defines the surface direction in the start point                                     |
|            | Ni, Nj, Nk  | defines the normal vector of the scanning plane                                      |
|            | Dx, Dy, Dz  | defines the scan direction point   |
|            | StepW       | is the average distance between 2 measured points                                    |
|            | Cx,Cy,Cz    |  |
|            | Ci,Cj,Ck, d | define a cylinder where the scan stops   |
|            | n           | Number of through the cylinder   |
|            | Ei, Ej, Ek  | defines the surface vector at the end point. It defines the direction for retracting |

Picture 33: ScanInPlaneEndIsCyl



Data As defined by OnScanReport  
 Errors  
 Remarks The scan is executed as follows:

The DME will implicitly execute a PtMeas command using (Sx,Sy,Sz) as point and (Si,Sj,Sk) as surface normal. The DME will use all PtMeasPars but with Retract set to 0.

During the scan the tool center will move within the scanning plane. The scanning plane is defined by its normal vector (Ni,Nj,Nk) and the tool center reached by the probing of the scanning start point (Si,Sj,Sk). The DME will start to scan in the scanning plane using the helping information of the direction point.

The DME will stop scanning when it passes n times through the stop cylinder. If the start point is within the stop cylinder, the DME will first leave the cylinder and then start checking the stop criterion.

The distance between the start point (Sx,Sy,Sz) and the direction point (Dx,Dy,Dz) may not be zero.

The scanning speed and the retract after end of scanning are defined by Tool.ScanPar.

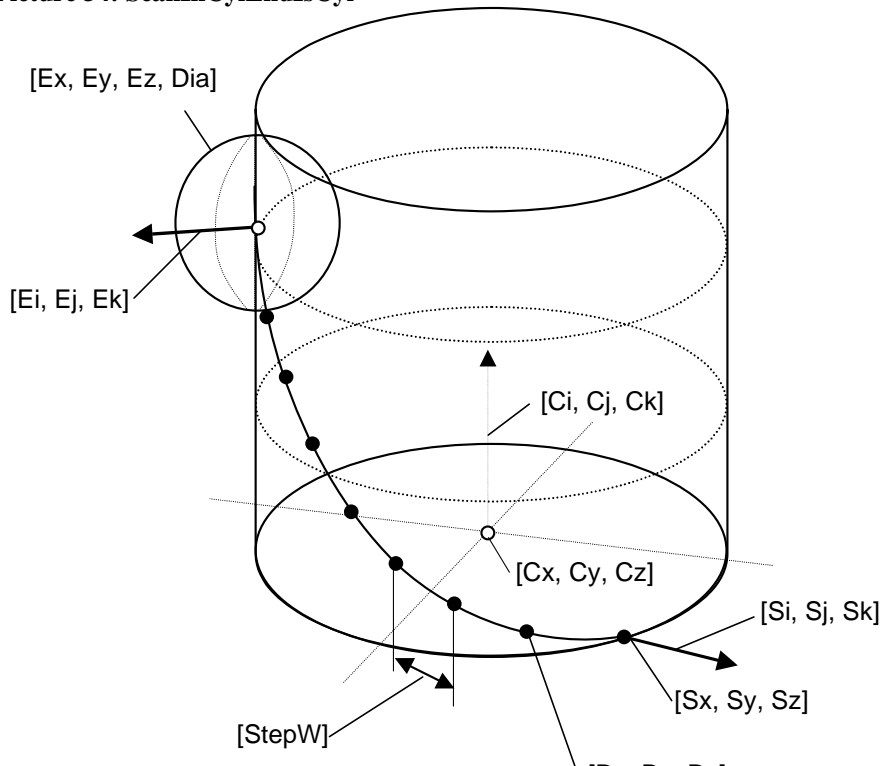
### 11.3.5 ScanInCylEndIsSphere(..)

The ScanInCylEndIsSphere allows to scan an unknown contour. The scan will stop if the sphere stop criterion is matched.

➤ ScanInCylEndIsSphere(Cx,Cy,Cz,Ci,Cj,Ck,  
 Sx,Sy,Sz,Si,Sj,Sk,  
 Dx,Dy,Dz,StepW,  
 Ex,Ey,Ez,Dia,n,Ei,Ej,Ek)

|            |                 |   |
|------------|-----------------|---|
| Parameters | Cx, Cy, Cz      |   |
|            | Ci,Cj,Ck        | defines the axis of the cylinder  |
|            | Sx, Sy, Sz      | defines the scan start point  |
|            | Si, Sj, Sk      | defines the surface direction in the start point                              |
|            | Dx, Dy, Dz      | defines the scan direction point  |
|            | StepW           | is the average distance between 2 measured points                             |
|            | Ex, Ey, Ez, Dia | Define a sphere where the scan stops  |
|            | n               | Number of reaching the stop sphere  |
|            | Ei, Ej, Ek      | defines the surface at the end point. It defines the direction for retracting |

**Picture 34: ScanInCylEndIsCyl**



|         |   |
|---------|---|
| Data    | As defined by OnScanReport  |
| Errors  |   |
| Remarks | <p>During the scan the tool center will move within the surface (ScanningCylinder), that is created by rotating a line (Sx,Sy,Sz, Ci,Cj,Ck) around the cylinder axis.</p> <p>The distance between the start point (Sx,Sy,Sz) and the direction point (Dx,Dy,Dz) may not be zero.</p> <p>The scan is executed as follows:</p> <p>The DME will implicitly execute a PtMeas command using (Sx,Sy,Sz) as point and (Si,Sj,Sk) as surface normal. The DME will use all PtMeasPars but with Retract set to 0.</p> <p>The DME will start to scan into the direction from start to direction point. During the scan the tool center will move ScanningCylinder.</p> <p>The DME will stop scanning after nth entering of the stop sphere when the distance between a scanned point and the sphere center has a local minimum. If the start point is within the stop sphere, the DME will first leave the sphere and then start to check the stop criterion.</p> <p>The distance between the start point projected to the cylinder axis and the start point (Sx,Sy,Sz) may not be zero and defines the diameter of the cylinder.</p> <p>The scanning speed and the retract after end of scanning are defined by Tool.ScanPar.</p> |

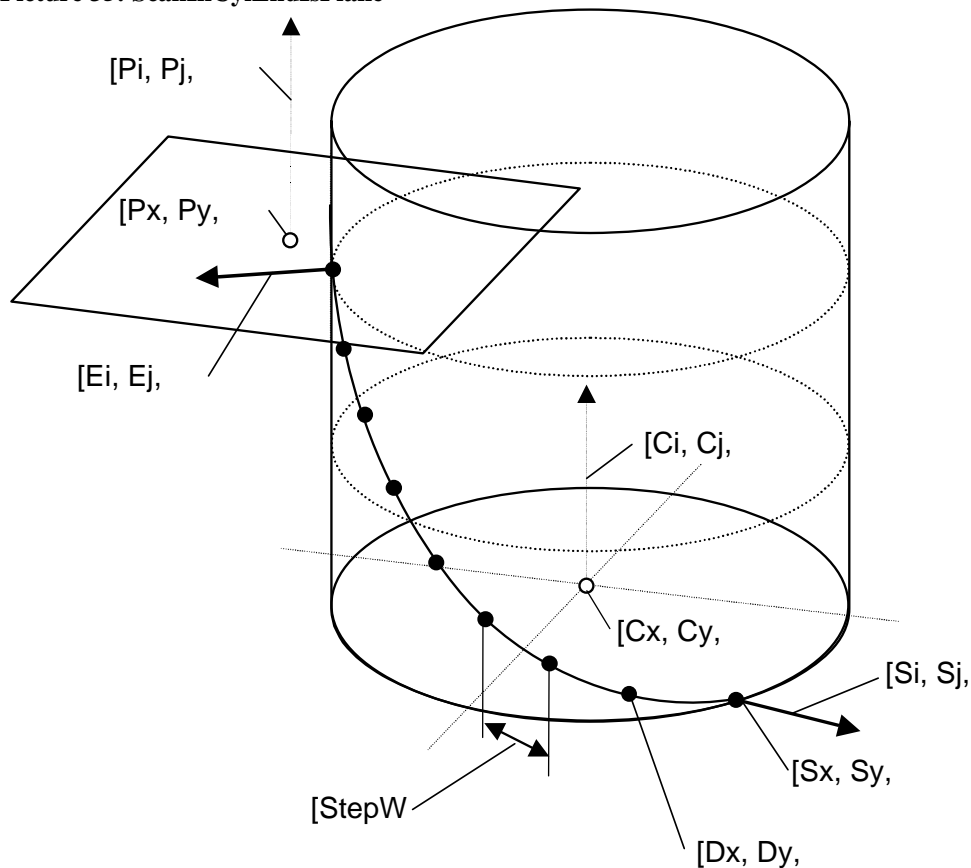
### 11.3.6 ScanInCylEndIsPlane(..)

The ScanInCylEndIsPlane allows to scan an unknown contour. The scan will stop if the plane stop criterion is matched.

➤ ScanInCylEndIsPlane(Cx,Cy,Cz,Ci,Cj,Ck,  
 Sx,Sy,Sz,Si,Sj,Sk,  
 Dx,Dy,Dz,StepW,  
 Px,Py,Pz,Pi,Pj,Pk,n  
 Ei,Ej,Ek)

|            |             |   |
|------------|-------------|---|
| Parameters | Cx, Cy, Cz  |   |
|            | Ci,Cj,Ck    | defines the axis of the cylinder  |
|            | Sx, Sy, Sz  | defines the scan start point  |
|            | Si, Sj, Sk  | defines the surface direction in the start point  |
|            | Dx, Dy, Dz  | defines the scan direction point  |
|            | StepW       | is the average distance between 2 measured points                                       |
|            | Px, Py, Pz, |   |
|            | Pi, Pj, Pk  | defines the stop plane  |
|            | n           | number of through stop plane  |
|            | Ei, Ej, Ek  | defines the surface direction at the end point. It defines the direction for retracting |

Picture 35: ScanInCylEndIsPlane



Data Errors As defined by OnScanReport

Remarks During the scan the tool center will move within the surface (ScanningCylinder), that is created by rotating a line (Sx,Sy,Sz, Ci,Cj,Ck) around the cylinder axis.

The scan is executed as follows:

The DME will implicitly execute a PtMeas command using (Sx,Sy,Sz) as point and (Si,Sj,Sk) as surface normal. The DME will use all PtMeasPars but with Retract set to 0.

The DME will start to scan into the direction from start to direction point. During the scan the tool center will move ScanningCylinder.

The DME will stop scanning when it passes n times through the stop plane. The DME will start to check the stop criteria when it has moved a distance that is larger than the distance between start and direction point.

The distance between the start point projected to the cylinder axis and the start point (Sx,Sy,Sz) may not be zero and defines the diameter of the cylinder.

The distance between the start point (Sx,Sy,Sz) and the direction point (Dx,Dy,Dz) may not be zero.

The scanning speed and the retract after end of scanning are defined by Tool.ScanPar.

## 11.4 Scanning Examples

### 11.4.1 Scanning known contour circle

| Client to Server  | Server to Client   | Comment  |
|---|--|--|
| 00014<br>OnScanReport(X(),Y(),Z(),Q())                              |  | Client defines format for scanning result. Valid for every scanning command from now on. |
|   | 00014 &  |  |
|   | 00014 %  |  |
| 00015 ScanOnCircleHint (0.01, 0.001)                                |  | Gives as a hint prognostic Displacement and Form   |
|   | 00015 &  |  |
|   | 00015 %  |  |
| 00016 ScanOnCircle (100, 0, -3, 120, 0, -3, 0, 0, 1, 360, 180, 0.5) |  | Arguments are:<br>ScanOnCircle(Cx, Cy, Cz, Sx, Sy, Sz, i, j, k, delta, sfa, StepW)       |
|   | 00016 &  |  |
|   | 00016 # 118.5, 0.0001, -3.0002, 0  | Scanning result from server, one point, assuming probe sphere radius is 1.5mm            |
|   | 00016 #<br>118.4992,0.1614,3.0002,<br>0,118.4971,0.3228,3.0002<br>,100,<br>..... | Multiple scanning results points blocked in one result string                            |
|   | ....   | Follow multiple times until all scanning results are transmitted                         |
|   | 00016 %  | Scanning ready   |

### 11.4.2 Scanning unknown contour

| Client to Server              | Server to Client | Comment  |
|-------------------------------|------------------|--|
|                               |                  |  |
|                               |                  | Previous defined OnScanReport is used              |
| 00015 ScanUnknownHint (100.0) |                  | Gives as a hint prognostic minimum radius of curve |
|                               | 00015 &          |  |
|                               | 00015 %          |  |



|   |  |  |
|---|--|--|
| 00016 ScanInPlaneEndIsSphere<br>(100,0,0,0,0,1,100,1,0,0.2,100,100,1.5,1.0,0,0,1) |  | Arguments are:<br>ScanInPlaneEndIsSphere(Sx,Sy,Sz,Si,Sj,Sk,Dx,Dy,Dz,StepW,Ex,Ey,Ez,Dia,Ei,Ej,Ek)         |
|   | 00016 &  |  |
|   | 00016 # 100.0000,<br>0.0000,1.5000,0,100.0001<br>,0.2000,1.5000,0,100.000<br>0,0.4000,1.5000,0 | Scanning result from server,<br>three points   |
|   | .....  | Multiple scanning results  |
|   | 00016 #<br>100.0000,99.8000,1.5000,<br>0,100.0000,100.0000,1.50<br>00,0                        | Follow multiple times until<br>end criterion is satisfied and<br>all scanning results are<br>transmitted |
|   | 00016 %  | Scanning ready   |

## 12 Rotary Table

### 12.1 AlignPart(..)

The client uses this method to force the part to be oriented according to the given vector(s).

- AlignPart(px1, py1, pz1, mx1, my1, mz1, alpha)
- AlignPart(px1, py1, pz1, mx1, my1, mz1,
- px2, py2, pz2, mx2, my2, mz2, alpha, beta)
- 

Parameters    First command for single rotary tables.  
Two normalized vectors (px, py, pz, mx, my, mz). The first vector is in part coordinates. The second vector is in machine coordinates.

Maximal allowed error angle (alpha) in which the found orientation may differ from the desired one projected to the rotation plane. In case the angle exceeds, "Part not aligned" is returned. In case alpha is zero no error check is performed.

Second command if applicable when two pieces of rotational equipment rectangular to each other are available.

Data            Returns vectors (same number as set) which describe the reached alignment.

Errors          2506: Part not aligned.

Remarks       In case of a rotary table both vectors are projected in the plane of rotation. After projection both vectors must be able to normalize.  
The returned vectors are the projected and normalized vectors actually used by the server.

## 13 Formtesters

A form tester is considered to be a CMM implementing a cylindrical coordinate system. Please note, that forms can be measured by standard CMM's as well. This section is created to address the additional functionality of dedicated form testing devices.

For this devices the rotation axis is implemented either by a rotary table where the part to measure is mounted on the table or by a spindle. In both cases the part can be moved relative to the rotation axis. It is important to note, that when moving the part the relation between machine and part coordinates is lost. In case of a Cartesian CMM this would be equivalent to moving the part after an alignment has been done.

To translated cylindrical coordinates into Cartesian coordinates we assume that the rotation axis direction is in the Z-direction and the sensor can be moved in radial (R-axis) and axial (Z-axis). The angle in the XY plane is defined by the position of the rotary table/spindle (C-axis) .

### 13.1 CenterPart(..)

This command is used to mechanically move the center of a measured circle into the rotation axis.

➤ CenterPart(px, py, pz, limit)

Parameters px, py, pz are the coordinates of the center of a measured circle.  
Limit is the target distance for the alignment.

Data CenterPart(0)  
If the distance of the circle center from the rotation axis is greater than or equal to limit.  
In this case the part was mechanically moved in such way, that the center of the circle is in the rotation axis.

CenterPart(1)  
If the distance of the circle center from the rotation axis is less than limit.  
In this case the part was not moved.

Errors

Remarks This command implicitly provides a ScanOnCircleHint whose Displacement value is the actual distance of the circle center from the rotation axis.  
The application will use the return value of CenterPart as a stop criteria for iterative centering part.

### 13.2 TiltPart(..)

This command is used to align a direction with the rotation axis.

➤ TiltPart(dx, dy, dz, limit)

Parameters dx, dy, dz defines a direction vector.  
Limit is the target distance for the alignment over a base length of 100 mm.

Data TiltPart(0)  
If the angle between the measured direction and the rotation axis is greater than or equal to the angle defined by limit.  
In this case the part was mechanically tilted in such way, that the direction is parallel to the rotation axis.

TiltPart(1)  
If the distance of the circle center from the rotation axis is less than limit.  
In this case the part was not tilted.

Errors

Remarks The application will use the return value of TiltPart as a stop criteria for iterative tilting the part.

### 13.3 TiltCenterPart(..)

This command is a combination of TiltPart() and CenterPart() where the tilt direction is described by the direction of the circle centers

➤ TiltCenterPart(px1, py1, pz1, px2, py2, pz2, limit)

Parameters px1, py1, pz1 are the coordinates of the first measured circle.  
px2, py2, pz2 are the coordinates of the second measured circle.  
Limit is the target distance for the alignment. Limit is defined for a reference distance of 100 mm along the Z-axis.

Data TiltCenterPart(0)  
If for both circles the distance of the circle center from the rotation axis is greater Than or equal to limit.  
In this case the part was tilted and centered.

TiltCenterPart(1)  
If for both circles the distance of the circle center from the rotation axis is less than limit.  
In this case the part was not tilted and centered.

Errors

Remarks      The application will use the return value of TiltCenterPart as a stop criteria for iterative tilting and centering the part.

### 13.4 LockAxis(..)

This command is used to disable an axis.  
The lock is a property of the actual tool.  
X(), Y(), Z() are unlocked after a LockPosition.  
All axes are unlocked after a ChangeTool.

➤ LockAxis(..)

Parameters    Enumeration of axes to be locked.  
Valid axes are      X(), Y(), Z(), R(), A(), B(), C()

Data            None  
Errors          1010, Unable to move

Using LockAxis(X(), Y()) will disable any movement in X and Y even if commanded with a GoTo or similar command without causing an error. Please note, that no errors with codes (2500, 2501, 2502) are generated for locked axes.

### 13.5 LockPosition(..)

This command is used to restrict the movement of the tool.  
The lock is a property of the actual tool.  
All positions are unlocked after a LockAxis with one of the (X(), Y(), Z()) arguments.  
All positions are unlocked after a ChangeTool.

➤ LockPosition(..)

Parameters    Enumeration of positions to be locked.  
Valid Position are    XFR(), YFR(), ZFR(), RFR(), PFR()

Data            None  
Errors          1010, Unable to move  
                 1011, Bad lock combination

This command is intended to allow the client to control how the tool moves when executing for example a GoTo, PtMeas, Scan... command when working with a CartCMMWithRotTbl. Formtesters are of this type.

Assume we moved the rotary table to zero using GoTo(R0)).

In this position of R() let us call the rotary table coordinate system “FixedRotaryTableCsy”.

This coordinate system describes the position and the rotation axis of the rotary table in machine coordinates.

Lets call cartesian coordinates in this system XFR(), YFR(), ZFR ().

Lets call cylinder coordinates in this system RFR(), PFR(), ZFR().

Now measuring radial runout on a cylinder mounted on the rotary table in rotation axis direction can be achieved for example by

```
GoTo(X(..), Y(..), Z(..), R(0))
LockAxis (PHR())
PtMeas()
PtMeas(..);
```

In this example the rotary table will move while the tool stays in the ZX-plane of the “FixedRotaryTableCsy”.

Using LockAxis (RFR(), PFR()) allow to measure axial runout.

Lock combinations of (XFR(), YFR()) with (RFR(), PFR(),) are not allowed and will return an error

## Appendix A C++ and Header Files for Explanation

### A.1 \main\main.cpp

```
//-----  
#include "../cartcmm/cartcmm.h"  
//#include "../dme/dme.h"  
//#include "../cartcmmwithrottbl/CartCmmWithRotTbl.h"  
//-----  
  
//Server      _Server;  
//Server*     Srv()  {return &_amp;Server;}  
  
void main () {  
  
//r8          speed = Srv()->GoToPar()->Speed();  
//ie          r      = Srv()->GoToPar()->Speed(5.0);  
  
//-----  
};
```

### A.2 \server

#### A.2.1 \server\server.h

```
#if !defined(AFX_Server_H__E4F9759D_0A8F_11D3_A3F2_0000F87ABD00__INCLUDED_)  
#  define AFX_Server_H__E4F9759D_0A8F_11D3_A3F2_0000F87ABD00__INCLUDED_  
  
#include "Part.h"  
#include <ETag.h>  
  
//-----  
  
class Server {  
  
Part      _Part;  
  
//-----  
  
public:    Server ();  
virtual  ~Server ();  
  
//-----  
  
void      StartSession (cTag tag);           // connect to client  
void      EndSession   (cTag tag);           // disconnect from client  
ie        StopDaemon   (cTag tag, cETag &fq); // stop daemon  
ie        StopAllDaemons (cTag tag);        // stop all daemons  
void      AbortE       (cTag tag);           // abort pending transactions  
void      GetErrorInfo (cTag tag);           // abort pending transactions  
void      ClearAllErrors (cTag tag);  
void      GetDMEVersion (cTag tag, String &version); // get version from DME  
  
//-----  
  
virtual void GetProp      (cTag tag, ...);  
virtual void GetPropE     (cTag tag, ...);  
virtual void SetProp      (cTag tag, ...);  
virtual void EnumProp     (cTag tag, ...);  
virtual void EnumAllProp  (cTag tag, ...);  
  
//-----  
private:                                     // these methods are for  
void      MainLoop        ();               // documentation purpose only  
void      DispatchToEventQue (Tag *tag, String &command);  
void      Dispatch        (Tag *tag, String &command);  
void      SendAck         (Tag *tag);  
void      SendData        (Tag *tag, CString &response);
```

```

void      SendError              (Tag *tag, cErrorSeverity sev, cErrorCode code);
void      SendReady              (Tag *tag);
void      FormatTag               (String &response, Tag* tag);
i4        DecodeTag              (cString &command);
void      Transmit               (cString &response);

//-----

bool      ServerIsAlive();
ErrorSeverity GetErrorSeverity();
ErrorCode  GetErrorCode();
bool      ErrorDuringCommandExecution();

};//-----
#endif

```

## A.2.2 \server\part.h

```

#ifndef AFX_Part_H__E4F9759D_0A8F_11D3_A3F2_0000F87ABD00__INCLUDED_
#define AFX_Part_H__E4F9759D_0A8F_11D3_A3F2_0000F87ABD00__INCLUDED_

#include <IppTop.h>

//-----

class Part {

//-----

r8        _Approach;
r8        _Search;
r8        _XpanCoefficient;
r8        _Temperature;

//-----

public:    Part    ();
virtual  ~Part   ();

//-----

r8        Approach()    {return _Approach;}
r8        Search()     {return _Search;}

//-----
};
#endif

```

## A.2.3 \server\server.cpp

```

//-----

#include "String.h"
#include "Server.h"

//-----

void  Server::MainLoop()          {                // for documentation only  ***

    // this method is implemented for
    // documentation purpose only
String  command;
Tag*    tag    = Nil;
    do {
        // wait for a command line from client
        // .. Wait(command)
i4      tagval = DecodeTag(command);           // get tag values define by chars
from 2 to 5

        if (command.FirstCharIs('E')) {
            tag = new ETag(tagval);
            SendAck(tag);                    // confirm receive
            DispatchToEventQue(tag, command);} // do whatever is necessary

```



```

        else {
            tag = new Tag(tagval);
            SendAck(tag);                // confirm receive
            Dispatch(tag, command);     // do whatever is necessary

            if (ErrorDuringCommandExecution()) { // something went wrong ?
                SendError(tag, GetErrorSeverity(), GetErrorCode()); // send error
message

                SendReady(tag);}
                while (ServerIsAlive()); // while server is alive

//-----
void Server::Transmit(cString &response) { // for documentation only ***

    // send this string to client
    /*... Send(response) */}

//-----
void Server::FormatTag(String &response, Tag* tag){ // for documentation only ***

    response.SetLen0();                // remove all chars
    response.Format(tag->Val(), 5);     // format 5 digits with leading
zeros

    if (dynamic_cast<ETag*>(tag) !=Nil) {
        response[1] = 'E';}           // use E to indicate event
        response += " ";}           // append a space char

//-----
void Server::SendAck(Tag* tag) { // for documentation only ***

String    response;
        FormatTag(response, tag);
        response += "&";                // add %
        Transmit(response);}

//-----
void Server::SendData(Tag *tag, cString &data) { // for documentation only ***

String    response;
        FormatTag(response, tag);
        response += "# ";                // add # and space
        response += data;                // add data
        Transmit(response);}

//-----
void Server::SendError(Tag *tag, cErrorSeverity sev, cErrorCode code) { // for
documentation only ***

String    response;
        FormatTag(response, tag);
        response += "! ";                // add ! and space
//        response += ...                // add error
        Transmit(response);}

//-----
void Server::SendReady(Tag *tag) { // for documentation only ***

String    response;
        FormatTag(response, tag);
        response += "%";                // add %
        Transmit(response);}

//-----

```

## A.3 \dme

### A.3.1 \dme\dme.h

```

#ifndef AFX_DME_H_E4F9759D_0A8F_11D3_A3F2_0000F87ABD00__INCLUDED_
#define AFX_DME_H_E4F9759D_0A8F_11D3_A3F2_0000F87ABD00__INCLUDED_

#include "../server/Server.h"
#include "../toolchanger/ToolChanger.h"

//-----

class DME : public Server {

ToolChanger    _ToolChanger;

//-----

bool           _IsHommed;
bool           _IsUserEnabled;

//-----

public:        DME      ();
virtual       ~DME     ();

//-----

ToolChanger*  Tch()      {return &_ToolChanger;}

//-----

virtual ie    Home      (cTag tag)    {}
i4           IsHommed  (cTag tag)    {return _IsHommed;}

//-----

virtual void  EnableUser (cTag tag)    {}
virtual void  DisableUser (cTag tag)   {}
bool         IsUserEnabled (cTag tag)  {}

//-----

ie           OnPtMeasReport (cTag tag, ...);
ie           OnMoveReportE  (cETag tag, cr8 dis, cr8 time,...);

//-----

void         GetMachineClass (cTag tag)    {}
void         GetErrStatusE   (cTag tag)    {}
void         GetXtdErrStatus (cTag tag)    {}

//-----

void         Get      (cTag tag, ...);
ie           GoTo     (cTag tag,...);
ie           PtMeas   (cTag tag,...);
ie           PtMeasIJK (cTag tag,...);
KTool*      Tool      ()    {return Tch()->_ActTool;}
ie           FindTool (cTag tag, cString &name) {return Tch()->FindTool (tag,
name);}
KTool*      FoundTool ()    {return Tch()->_FoundTool;}
ie           ChangeTool (cTag tag, cString &name) {return Tch()->ChangeTool (tag,
name);}
ie           GetChangeToolAction (cTag tag, cString &name) {return Tch()-
>GetChangeToolAction(tag, name);}
ie           SetTool   (cTag tag, cString &name) {return Tch()->SetTool (tag,
name);}
ie           AlignTool (cTag tag, cV3 &ijk, cr8 alpha) {return Tool()->AlignTool
(tag, ijk, alpha);}
ie           AlignTool (cTag tag, cV3 &ijk, cV3 &uvw, cr8 alpha, cr8 beta)
{return Tool()->AlignTool (tag, ijk, uvw, alpha, beta);}
GoToPars*   GoToPar   ()    {return Tool()->GoToPar();}
PtMeasPars* PtMeasPar ()    {return Tool()->PtMeasPar();}
GoToPars*   ABCGoToPar ()   {return Tool()->ABCGoToPar();}
PtMeasPars* ABCPtMeasPar () {return Tool()->ABCPtMeasPar();}

//-----

virtual i4   CenterPart (cTag tag, ...)           // Form tester methods

```

```

virtual i4      TiltPart      (cTag tag, ...);
virtual i4      TiltCenterPart (cTag tag, ...);

//-----

virtual r8      X      (); // return machine position in the
virtual r8      Y      (); // selected coordinate system
virtual r8      Z      ();
virtual V3      IJK    ();

virtual ie      X      (cr8 x); // move machine to target position
virtual ie      Y      (cr8 y);
virtual ie      Z      (cr8 z);
virtual ie      IJK    (const V3 &ijk);

//-----

ie      OnScanReport      (cTag tag, ...);
ie      ScanOnCircleHint  (cTag tag, ...);
ie      ScanOnCircle      (cTag tag, ...);
ie      ScanOnLineHint    (cTag tag, ...);
ie      ScanOnLine        (cTag tag, ...);

ie      ScanUnknownHint   (cTag tag, ...);
ie      ScanInPlaneEndIsSphere (cTag tag, ...);
ie      ScanInPlaneEndIsPlane (cTag tag, ...);
ie      ScanInPlaneEndIsCyl (cTag tag, ...);
ie      ScanInCylEndIsSphere (cTag tag, ...);
ie      ScanInCylEndIsPlane (cTag tag, ...);

}; //-----
#endif

```

## A.4 \cartcmm

### A.4.1 \cartcmm\cartcmm.h

```

#ifndef AFX_CartCMM_H_E4F9759D_0A8F_11D3_A3F2_0000F87ABD00__INCLUDED_
#define AFX_CartCMM_H_E4F9759D_0A8F_11D3_A3F2_0000F87ABD00__INCLUDED_

#include "../DME/dme.h"
#include "T33.h"

//-----

class CartCMM :public DME {

Axis      _XAxis;
Axis      _YAxis;
Axis      _ZAxis;

//-----

CoordSys  _CoordSys;
T33       _PartCoordTransformation;

//-----

public:
virtual   CartCMM ();
virtual   ~CartCMM      ();

//-----

Axis*     XAx() {return &_XAxis;}
Axis*     YAx() {return &_YAxis;}
Axis*     ZAx() {return &_ZAxis;}

//-----

virtual
ie        SetCoordSystem(CoordSys csy);
CoordSys  GetCoordSystem() {return _CoordSys;}

//-----

ie        SetCsyTransformation(const T33EA &tra);

```

```

T33EA          GetCsyTransformation();

//-----

protected:

virtual r8     X();           // return machine position in the
virtual r8     Y();           // selected coordinate system
virtual r8     Z();
virtual V3     IJK();

virtual ie     X(cr8 x);      // move machine to target position
virtual ie     Y(cr8 y);
virtual ie     Z(cr8 z);
virtual ie     IJK(const V3 &ijk);

//-----
};
#endif

```

## A.4.2 \cartcmm\eulerw.cpp

```

// EulerA.cpp: implementation of the EulerA class.

#include "R33.h"
#include "EulerW.h"

//-----

cr8          R_Delta = 1e-12;

r8           abs   (cr8 x);
r8           sind  (cr8 x);
r8           cosd  (cr8 x);
r8           Acosd (cr8 x);
r8           Atan2d(cr8 y, cr8 x);

//-----

                EulerA::EulerA(cR33 &b){           // create Euler from
                _Psi = 0,
// rotation matrix
                _Phi = 0;
r8             s3   = 0,
                c3   = 0,
                c1   = b.Val(3,3);
                _Theta = Acosd(c1);
r8             s1   = sind(_Theta);
                if (abs(s1) > R_Delta) {           // check if Tht() is 0
r8             s2   = b.Val(1,3)/s1,           // no calculate Psi()
                c2   = -b.Val(2,3)/s1;
                _Psi = Atan2d(s2, c2);
EulerA         ew(_Theta, _Psi, _Phi);           // use Tht(), Psi(), 0 to create matrix
R33            r(ew); -r;                       // and calculate Psi() from orig mat
R33            rr(b); rr*=r;                     // and matrix build from Tht() Psi()
                c3   = r.Val(1,1);
                s3   = r.Val(2,1);}
                else {                           // Tht()==0, Psi()==0
                c3   = b.Val(1,1);               // calculate phi
                s3   = b.Val(2,1);}
                _Phi = Atan2d(s3, c3);}

//-----

void R33::Create(cEulerA &b) {

r8           c1           = cosd(b.Tht()),       // theta==0 && psi==0
                s1           = sind(b.Tht()),
                c2           = cosd(b.Psi()),     // c3      s3      0
                s2           = sind(b.Psi()),     // -s3     c3      0
                c3           = cosd(b.Phi()),     // 0       0      1
                s3           = sind(b.Phi());

                Mat(1,1) = c2*c3-c1*s2*s3;
                Mat(1,2) = s2*c3+c1*c2*s3;
                Mat(1,3) = s1*s3;

```

```

Mat(2,1) = -c2*s3-c1*s2*c3;
Mat(2,2) = -s2*s3+c1*c2*c3;
Mat(2,3) = s1*c3;
//      c2*c3-c1*s2*s3      s2*c3+c1*c2*s3      s1*s3

Mat(3,1) = s1*s2;
//      -c2*s3-c1*s2*c3      -s2*s3+c1*c2*c3      s1*c3
Mat(3,2) = -s1*c2;
Mat(3,3) = c1;
//      s1*s2      -s1*c2      c1

```

//-----

## A.5 \cartcmmwithrottbl

### A.5.1 \cartcmmwithrottbl\cartcmmwithrottbl.h

```

#if !defined(AFX_CartCmmWithRotTbl_H__E4F9759D_0A8F_11D3_A3F2_0000F87ABD00__INCLUDED_)
#   define AFX_CartCmmWithRotTbl_H__E4F9759D_0A8F_11D3_A3F2_0000F87ABD00__INCLUDED_

#include "../cartcmm/cartcmm.h"

//-----

class CartCmmWithRotTbl: public CartCMM {

//-----

Axis          _RAxis;

//-----

public:        CartCmmWithRotTbl      ();
virtual      ~CartCmmWithRotTbl      ();

//-----

Axis*         RAX                      () {return &_RAxis;}

//-----

ie           AlignPart      (cTag      tag, ...);

//-----

virtual char*      Type          () {return "CartCMMWithRotTbl";}

}; //-----
#endif

```

## A.6 \toolchanger

### A.6.1 \toolchanger\toolchanger.h

```

// ToolChanger.h: interface for the ToolChanger class.

#if !defined(AFX_ToolChanger_H__2418E2DB_F44D_4F25_B290_3EDC4854E112__INCLUDED_)
#   define AFX_ToolChanger_H__2418E2DB_F44D_4F25_B290_3EDC4854E112__INCLUDED_

#include "ToolAB.h"

//-----

class ToolChanger {                                friend class DME;

KTool*          _ActTool;
KTool*          _FoundTool;
KTool*          _DefaultTool;
KTool*          _UndefTool;

//-----

```

```

Ary<KTool*>      _Tools;
V3              _TransferPosition;

//-----

ToolChanger    (){

/*
String         name      = "DefaultTool"
               _DefaultTool = new Tool(name);

               name      = "UndefTool"
               _UndefTool = new Tool(name);

Tool*          name      = "NoTool"
               tool      = new Tool(name);
               _Tool.Add(tool);

Tool*          name      = "ReferenceTool"
               tool      = new Tool(name);
               _Tool.Add(tool);

*/}

//-----

virtual        ~ToolChanger();

//-----

KTool*         ActTool()      const {return _ActTool;}
KTool*         FoundTool()   {return _FoundTool;}

//-----

GoToPars*      GoToPar()      const {GoToPars* r=ActTool()->GoToPar (); if (r==Nil)
r=_DefaultTool->GoToPar(); return r;}
GoToPars*      ABCGoToPar()   const {GoToPars* r=ActTool()->ABCGoToPar(); if (r==Nil)
r=_DefaultTool->ABCGoToPar(); return r;}

//-----

PtMeasPars*    PtMeasPar()    const {PtMeasPars* r=ActTool()->PtMeasPar (); if
(r==Nil) r=_DefaultTool->PtMeasPar(); return r;}
PtMeasPars*    ABCPtMeasPar() const {PtMeasPars* r=ActTool()->ABCPtMeasPar(); if
(r==Nil) r=_DefaultTool->ABCPtMeasPar(); return r;}

//-----

i4            Howmany(cTag tag) {return _Tools.Len();}

//-----

ie            Qualify      (cTag tag) {return _ActTool->Qualify(tag);}
ie            ChangeTool  (cTag tag, cString &name);
ie            GetChangeToolAction (cTag tag, cString &name);
ie            SetTool     (cTag tag, cString &name);
ie            FindTool    (cTag tag, cString &name){_FoundTool = Find(tag, name);
return (_FoundTool==Nil) ? ErrorToolNotFound : ErrorSuccess;}
ie            FindTool    (cTag tag, cV3 &ijk) {_FoundTool = Find(tag,
ijk); return (_FoundTool==Nil) ? ErrorToolNotFound : ErrorSuccess;}
String        ActToolName (cTag tag) {return _ActTool->Name();}

//-----

void          EnumTools(cTag tag) {
String        name;
              for (i4 i=0; i < _Tools.Len();) {
                  name = _Tools[i]->Name();
                  /*send name to client*/}

//-----
private:
KTool*        Find(cTag tag, cString &name) {/* for(i..) toolname = _Tools[i]->Name()*/};
KTool*        Find(cTag tag, cV3 &ijk) {/* for(i..) toolname = _Tools[i]->Name()*/};

//-----
};

```

```
#endif
```

## A.6.2 \toolchanger\tool.h

```
// Tool.h: interface for the Tool class.

#if !defined(AFX_Tool_H_79AF9D2B_A7BC_4F04_923D_1452AF559CC1__INCLUDED_)
#   define AFX_Tool_H_79AF9D2B_A7BC_4F04_923D_1452AF559CC1__INCLUDED_

#include "String.h"
#include "GoToParams.h"
#include "PtMeasPars.h"
#include "V3.h"
#include "Axis.h"

//-----

class KTool {                                friend class ToolChanger;

String          _Name;
String          _Id;
i4              _Type;

//-----

GoToPars*      _GoToPar;
GoToPars*      _ABCGoToPar;

//-----

PtMeasPars*    _PtMeasPar;
PtMeasPars*    _ABCPtMeasPar;

//-----

String          _QualificationArtifact;
i4              _QualificationState;
DateTime        _LastQualificationDate;
ui              _MethodsSupported;

//-----

public:
virtual         KTool(cString &name);
virtual         ~KTool();

//-----

String          Name()                      {return _Name;}
String          Id    ()                    {return _Name;}

//-----

GoToPars*      GoToPar  () const {return _GoToPar;}
GoToPars*      ABCGoToPar() const {return _ABCGoToPar;}

//-----

PtMeasPars*    PtMeasPar() const {return _PtMeasPar;}
PtMeasPars*    ABCPtMeasPar() const {return _ABCPtMeasPar;}

//-----

bool           CanDoGoTo  ();
bool           CanDoPtMeas();

//-----

ie             Qualify(cTag tag);

//-----

virtual ie     Align          (cTag tag, cv3 &ijk) {return ErrorBadContext;}
virtual ie     AlignTool     (cTag tag, cv3 &ijk, cr8 alpha)
                {return ErrorBadContext;}
virtual ie     AlignTool     (cTag tag, cv3 &ijk, cv3 &uvw, cr8 alpha, cr8 beta)
                {return ErrorBadContext;}
virtual ie     Alignment     (cTag tag)
```

```

//-----
virtual ie          CollisionVolume      (cTag tag, ...);
//-----

virtual void EnumProp      (cTag tag, ...);
virtual void GetProp      (cTag tag, ...);
virtual void GetPropE     (cTag tag, ...);
virtual void SetProp      (cTag tag, ...);
//-----

protected:
virtual r8          A()                {return 0;}
virtual r8          B()                {return 0;}
virtual r8          C()                {return 0;}

virtual ie          A(cr8 a)           {return ErrorSuccess;}
virtual ie          B(cr8 b)           {return ErrorSuccess;}
virtual ie          C(cr8 c)           {return ErrorSuccess;}
//-----
};
#endif

```

### A.6.3 \toolchanger\toolab.h

```

// ToolAB.h: interface for the ToolAB class.

#if !defined(AFX_ToolAB_H__79AF9D2B_A7BC_4F04_923D_1452AF559CC1__INCLUDED_)
#   define AFX_ToolAB_H__79AF9D2B_A7BC_4F04_923D_1452AF559CC1__INCLUDED_

#include "Tool.h"
//-----

class ToolAB : public KTool {

Axis          _Aaxis;
Axis          _Baxis;
//-----

public:
ToolAB(cString &name);
virtual      ~ToolAB();
//-----

ie           Align      (cTag tag, cv3 &ijk);
void        EnumProp(cTag tag);
//-----

r8          A();
r8          B();

ie          A(cr8 a);
ie          B(cr8 b);
//-----

};
#endif

```

### A.6.4 \toolchanger\toolabc.h

```

// ToolABC.h: interface for the ToolABC class.

#if !defined(AFX_ToolABC_H__79AF9D2B_A7BC_4F04_923D_1452AF559CC1__INCLUDED_)
#   define AFX_ToolABC_H__79AF9D2B_A7BC_4F04_923D_1452AF559CC1__INCLUDED_

#include "ToolAB.h"

```



```

//-----
class ToolABC : public ToolAB {
Axis                _CAxis;

//-----

public:              ToolABC(const String &name);
virtual             ~ToolABC();

//-----

ie                  Align   (cTag tag, cv3 &ijk);
void                EnumProp(cTag tag);

//-----

r8                  C();
ie                  C(cr8 c);

//-----
};
#endif

```

## A.6.5 \toolchanger\gotoparams.h

```

// GoToPars.h: interface for the GoToPars class.

#if !defined(AFX_GoToPars_H__79AF9D2B_A7BC_4F04_923D_1452AF559CC1__INCLUDED_)
#   define AFX_GoToPars_H__79AF9D2B_A7BC_4F04_923D_1452AF559CC1__INCLUDED_

#include "../lib/String.h"
#include "Param.h"

//-----

class GoToPars {

Param              _Speed;
Param              _Accel;

//-----

public:            GoToPars();
virtual           ~GoToPars();

//-----

Param*            Speed          ()           {return &_Speed;}

//-----

Param*            Accel          ()           {return &_Accel;}

//-----

void              EnumProp       ();

//-----
};
#endif

```

## A.6.6 \toolchanger\ptmeaspars.h

```

// PtMeasPars.h: interface for the PtMeasPars class.

#if !defined(AFX_PtMeasPars_H__79AF9D2B_A7BC_4F04_923D_1452AF559CC1__INCLUDED_)
#   define AFX_PtMeasPars_H__79AF9D2B_A7BC_4F04_923D_1452AF559CC1__INCLUDED_

#include "../lib/String.h"
#include "../lib/DateTime.h"
#include "GoToParams.h"

//-----

```

```

class PtMeasPars {

Param      _Approach;
Param      _Search;
Param      _Retract;
GoToPars   _Move;

//-----

public:     PtMeasPars();
virtual    ~PtMeasPars();

//-----

Param*     Approach      ()           {return &_Approach;}
Param*     Search        ()           {return &_Search;}
Param*     Retract       ()           {return &_Retract;}

Param*     Speed         ()           {return _Move.Speed();}
Param*     Accel         ()           {return _Move.Accel();}

//-----

void        EnumProp();

//-----
};
#endif

```

## A.6.7 \toolchanger\param.h

```

// Param.h: interface for the Param class.

#ifndef AFX_Param_H_79AF9D2B_A7BC_4F04_923D_1452AF559CC1__INCLUDED_
#define AFX_Param_H_79AF9D2B_A7BC_4F04_923D_1452AF559CC1__INCLUDED_

#include "IppTypeDef.h"
#include <IppErrorCodes.h>

r8      min(cr8 a, cr8 b);
r8      max(cr8 a, cr8 b);

//-----

class Param {

r8      _Min;
r8      _Act;
r8      _Max;
r8      _Def;

//-----

public:     Param() {_Min=-10000;_Act=0;_Max=10000;}
virtual    ~Param();

//-----

r8      Min      ()           const {return _Min;}
r8      Act      ()           const {return _Act;}
r8      Max      ()           const {return _Max;}
r8      Def      ()           const {return _Def;}
void     EnumProp ();

//-----

ie      Act(cr8 v)           {
ie      errcod = ErrorSuccess;
bool    r      = CanChange();
        if (r) {
            r = v >= _Min && v <= _Max;
            if (r) {
                _Act=v;}
            else {
                _Act  = min(v,  _Max);
                _Act  = max(_Act, _Min);

```

```

        errcod = (v < _Min) ? ErrorParamTooSmall : ErrorParamTooLarge;}}
    else {
        errcod = ErrorParamCannotBeChanged;}
    return errcod;}

//-----
private:
void    Min          (cr8 v) { _Min=v;}
void    Max          (cr8 v) { _Max=v;}
void    Def          (cr8 v) { _Def=v;}

//-----
};
#endif

```

## A.7 Most important of lib

### A.7.1 \lib\axis.h

```

// Axis.h: interface for the Axis class.

#if !defined(AFX_Axis_H_B3DA30C7_5415_11D3_A481_0000F87ABD00__INCLUDED_)
#   define  AFX_Axis_H_B3DA30C7_5415_11D3_A481_0000F87ABD00__INCLUDED_

#include "IppTypeDef.h"

//-----

class Axis {

//-----

        enum    AxisType        {Lin=1, Rot=2};

char        _Name[8];
AxisType    _Type;
r8          _MinPos;
r8          _ActPos;
r8          _MaxPos;
r8          _Pitch;
r8          _Temperature;
bool        _IsControlled;
bool        _IsHomed;

//-----

public:
virtual     ~Axis(){};

//-----

i4          Type()                const {return _Type;}
r8          MinPos()              const {return _MinPos;}
r8          MaxPos()              const {return _MaxPos;}
r8          Pitch()              const {return _MaxPos;}
r8          Temperature()        const {return _Temperature;}

//-----

static
void        EnumProp();           // Name,          c*8
                                       // Type,          i4
                                       // MinPos,       r8
                                       // MaxPos,       r8
                                       // Temperature, r8

//-----
};
#endif

```

### A.7.2 \lib\eulerw.h

```

// EulerA.h: interface for the EulerA class.

#if !defined(AFX_EulerA_H_0E096DA3_5537_11D3_84A8_0000F87ADB6B__INCLUDED_)
#   define  AFX_EulerA_H_0E096DA3_5537_11D3_84A8_0000F87ADB6B__INCLUDED_

```

```

#include "IppTop.h"

//-----

class EulerA {

r8          _Theta;           // Euler angel in degrees
r8          _Psi;
r8          _Phi;

//-----

public:          EulerA();
                EulerA(cr8 theta, cr8 psi, cr8 phi);
                EulerA(cr33 &b);

virtual        ~EulerA();

//-----

r8          Tht() const {return _Theta;}
r8          Psi() const {return _Psi;}
r8          Phi() const {return _Phi;}

//-----
};
//-----
#endif

```

### A.7.3 \lib>tag.h

```

// KTag.h: interface for the KTag class.

#if !defined(AFX_KTag_H__001F2611_6298_11D3_A49B_0000F87ABD00__INCLUDED_)
#   define AFX_KTag_H__001F2611_6298_11D3_A49B_0000F87ABD00__INCLUDED_

#include <IppTypeDef.h>

//-----

class Tag      {

static

i4          _TagCounter;           // static tag counter
i4          _Tag;                  // tag

//-----

public:      Tag(ci4 i)              {_Tag = i;}
virtual     ~Tag()                  {}

//-----

i4          Val()                  {return _Tag;}
i4          NewTag();              // create new tag *** for client
use only

//-----
};
#endif

```

### A.7.4 \lib\ipptypedef.h

```

//          This is the global type definition file

#ifndef _IppTypeDefDefined
#define _IppTypeDefDefined

//-----

typedef      unsigned      char      uc;           // define some shortcuts
typedef const unsigned      char      cuc;        // for type definitions

typedef      char          char      ch;
typedef const char          char      cc;

typedef      unsigned      short     ui2;
typedef      signed        short     i2;
typedef const signed        short     ci2;

```

```

typedef const   unsigned   short   cui2;

typedef          signed    int     i4;
typedef const   signed    int     ci4;

typedef          signed    int     ie;           // error codes
typedef const   signed    int     cie;

typedef const   unsigned   int     cui;
typedef          unsigned   int     ui;

typedef          unsigned   int     ich;
typedef const   unsigned   int     cich;

typedef          double    r8;
typedef const   double    cr8;
typedef          float     r4;
typedef const   float     cr4;

typedef          bool     bo;
typedef const   bool     cbo;

//-----

#define          Fa          false // define boolean shortcuts
#define          Tr          true
#define          Nil         0

//-----

#endif

```

## A.7.5 \lib\ippbaseclasses.h

```

//      predefined classes

#ifndef _IppBaseClassesDefined
#define _IppBaseClassesDefined

//-----

class String;      typedef const String  cString;      // data base object
class Tag;         typedef const Tag     cTag;         // data base object
class ETag;        typedef const ETag    cETag;        // data base object
class GoToPars;    typedef const GoToPars cGoToPars;   // data base object
class PtMeasPars;  typedef const PtMeasPars cPtMeasPars;

//-----

class V3;          typedef const V3      cV3;          // data base object
class M33;         typedef const M33     cM33;         // data base object
class R33;         typedef const R33     cR33;         // data base object
class T33;         typedef const T33     cT33;         // data base object
class T33EA;       typedef const T33EA   cT33EA;       // data base object
class EulerA;      typedef const EulerA  cEulerA;      // data base object

//-----

class Axis;        typedef const Axis    cAxis;
class Part;        typedef const Part    cPart;

//-----

enum ErrorSeverity; typedef const ErrorSeverity cErrorSeverity;
enum ErrorCode;    typedef const ErrorCode    cErrorCode;

//-----
#endif

```

## Appendix B: Enumeration of pictures

|  |     |
|--|-----|
| Picture 1: Methods of description .....                                      | 9   |
| Picture 2: Examples physical system .....                                    | 13  |
| Picture 3: Physical DME subsystems.....                                      | 14  |
| Picture 4: Logical system layout .....                                       | 15  |
| Picture 5: Transport layer and object model .....                            | 18  |
| Picture 6: StartSession, EndSession .....                                    | 19  |
| Picture 7: Standard Queue Communication .....                                | 19  |
| Picture 8: Event, Fast Queue Communication .....                             | 20  |
| Picture 9: Event, Fast Queue Communication .....                             | 20  |
| Picture 10: Handling of unsolicited Errors.....                              | 21  |
| Picture 11: Explanation of the difference between normal and fast queue..... | 22  |
| Picture 12: Reduced object model. Outside view, method oriented .....        | 25  |
| Picture 13: Full Object Model; please zoom the .pdf file view.....           | 26  |
| Picture 14: Object Model Containers .....                                    | 27  |
| Picture 15: Container server.....  | 27  |
| Picture 16: Container dme.....   | 28  |
| Picture 17: Container cartcmm.....   | 29  |
| Picture 18: Container cartcmmwithrotarytable .....                           | 29  |
| Picture 19: Container toolchanger.....                                       | 30  |
| Picture 20: Container libandunspecified .....                                | 31  |
| Picture 21: Transformation chain.....  | 60  |
| Picture 23: Definition of an oriented bounding box.....                      | 70  |
| Picture 24: Simple safety zones .....  | 71  |
| Picture 25: Bounding box covering a rotated tool.....                        | 72  |
| Picture 26: Bounding boxes covering more complex tools.....                  | 73  |
| Picture 27: Definition of a Tool.AlignmentVolume sphere.....                 | 75  |
| Picture 28: Tool.AlignmentVolume .....                                       | 76  |
| Picture 32: Multiple arm equipment.....                                      | 88  |
| Picture 33: ScanOnLine .....   | 92  |
| Picture 34: ScanOnCurve .....  | 94  |
| Picture 35: ScanInPlaneEndIsSphere .....                                     | 96  |
| Picture 36: ScanInPlaneEndIsPlane .....                                      | 98  |
| Picture 37: ScanInPlaneEndIsCyl .....  | 99  |
| Picture 39: ScanInCylEndIsPlane .....  | 102 |